



Currie Commercial Center
10125 W. Laraway, Frankfort, Illinois, 60423
Office: 815-464-9200

Customer Proposal

Prepared for:

Mr. Tom Morgan
Village Of Orland Park

Prepared by:

THOMAS SULLIVAN
Office: 815-464-9200

Date: 04/08/2019

Vehicle: 2019 F-450 Chassis XL
4x2 SD Regular Cab 145" WB DRW

Quote ID: op





Major Equipment

(Based on selected options, shown at right)

6.8L V-10 SOHC w/SMPI 288hp
 TorqShift 6 speed automatic w/OD

- * 4-wheel ABS
- * Traction control
- * LT 225/70R19.5 G BSW AT S-rated rear tires
- * Firm suspension
- * Tinted glass
- * Bluetooth streaming audio
- * Dual power remote heated mirrors
- * 19.5 x 6 steel wheels
- * Driver and front passenger seat mounted side airbags
- * Tachometer
- * Reclining front split-bench seats
- * Side steps
- * Front axle capacity: 7000 lbs.
- * Front spring rating: 6500 lbs.
- * Frame section modulus: 12.7 cu.in.
- * Cab to axle: 60"
- * Transmission PTO Provision

Exterior:Race Red
 Interior:Medium Earth Gray

- * Brake assistance
- * LT 225/70R19.5 G BSW AS S-rated front tires
- * Battery with run down protection
- * Air conditioning
- * AM/FM stereo with seek-scan, external memory control
- * Daytime running
- * Variable intermittent wipers
- * Dual front airbags w/passenger cancel
- * SecuriLock immobilizer
- * Message Center
- * Vinyl seats
- * Audio control on steering wheel
- * Rear axle capacity: 13660 lbs.
- * Rear spring rating: 12880 lbs.
- * Frame Yield Strength 50000 psi
- * Axle to end of frame: 47.2"

Fuel Economy

City
N/A



Hwy
N/A

Selected Options

MSRP

STANDARD VEHICLE PRICE	\$38,040.00
Order Code 650A	N/C
Monotone Paint Application	STD
145" Wheelbase	STD
50-State Emissions System	STD
Race Red	N/C
Medium Earth Gray	N/C
Limited Slip w/4.88 Axle Ratio	\$360.00
Transmission Power Take-Off Provision	\$280.00
CNG/Propane Gaseous Engine Prep Package	\$315.00
26.5 Gallon Mid Ship Fuel Tank	\$125.00
Tires: 225/70Rx19.5G BSW Traction (TGM)	\$190.00
XL Value Package	\$1,000.00
Power Equipment Group	\$915.00
Snow Plow Prep Package	\$185.00
Platform Running Boards	\$320.00
Trailer Brake Controller	\$270.00
Engine: 6.8L 3-Valve SOHC EFI NA V10	Included
Transmission: TorqShift 6-Speed Automatic (6R140)	Included
GVWR: 16,500 lb Payload Package	Included
Wheels: 19.5" Argent Painted Steel	Included

Prices and content availability as shown are subject to change and should be treated as estimates only. Actual base vehicle, package and option pricing may vary from this estimate because of special local pricing, availability or pricing adjustments not reflected in the dealer's computer system. See salesperson for the most current information.



Currie Commercial Center
 10125 W. Laraway, Frankfort, Illinois, 60423
 Office: 815-464-9200

2019 F-450 Chassis, SD Regular Cab
 4x2 SD Regular Cab 145" WB DRW XL(F4G)
 Price Level: 950 Quote ID: op

HD Vinyl 40/20/40 Split Bench Seat	Included
4.2" Center-Stack Screen	Included
Radio: AM/FM Stereo/MP3 Player	Included
SYNC Communications & Entertainment System	Included
Chrome Front Bumper	Included
Steering Wheel-Mounted Cruise Control	Included
Accessory Delay	Included
Advanced Security Pack	Included
Trailer Tow Mirrors w/Power Heated Glass	Included
MyKey	Included
Power Front Side Windows	Included
Power Locks	Included
Remote Keyless Entry	Included
<hr/>	
SUBTOTAL	\$42,000.00
Destination Charge	\$1,595.00
<hr/>	
TOTAL	\$43,595.00

Prices and content availability as shown are subject to change and should be treated as estimates only. Actual base vehicle, package and option pricing may vary from this estimate because of special local pricing, availability or pricing adjustments not reflected in the dealer's computer system. See salesperson for the most current information.

Prepared for: Mr. Tom Morgan, Village Of Orland Park
 By: THOMAS SULLIVAN Date: 04/08/2019



Selected Options

Code	Description	MSRP
Base Vehicle		
F4G	Base Vehicle Price (F4G)	\$38,040.00
Packages		
650A	Order Code 650A <i>Includes:</i> - Engine: 6.8L 3-Valve SOHC EFI NA V10 - Transmission: TorqShift 6-Speed Automatic (6R140) Includes SelectShift. - GVWR: 16,500 lb Payload Package - Wheels: 19.5" Argent Painted Steel Hub covers/center ornaments not included. - HD Vinyl 40/20/40 Split Bench Seat Includes center armrest, cupholder, storage and driver's side manual lumbar.	N/C
Powertrain		
99Y	Engine: 6.8L 3-Valve SOHC EFI NA V10	Included
44P	Transmission: TorqShift 6-Speed Automatic (6R140) <i>Includes SelectShift.</i>	Included
X8L	Limited Slip w/4.88 Axle Ratio	\$360.00
STDGV	GVWR: 16,500 lb Payload Package	Included
Wheels & Tires		
TGM	Tires: 225/70Rx19.5G BSW Traction (TGM) <i>Includes 4 traction tires on the rear and 2 A/P tires on the front. Optional spare is 225/70Rx19.5G BSW A/P.</i>	\$190.00
64Z	Wheels: 19.5" Argent Painted Steel <i>Hub covers/center ornaments not included.</i>	Included
Seats & Seat Trim		
A	HD Vinyl 40/20/40 Split Bench Seat <i>Includes center armrest, cupholder, storage and driver's side manual lumbar.</i>	Included
Other Options		
PAINT	Monotone Paint Application	STD
145WB	145" Wheelbase	STD
96V	XL Value Package	\$1,000.00

Prices and content availability as shown are subject to change and should be treated as estimates only. Actual base vehicle, package and option pricing may vary from this estimate because of special local pricing, availability or pricing adjustments not reflected in the dealer's computer system. See salesperson for the most current information.



Selected Options (cont'd)

Code	Description	MSRP
	<p><i>Includes:</i></p> <ul style="list-style-type: none"> - 4.2" Center-Stack Screen - Radio: AM/FM Stereo/MP3 Player <p><i>Includes 4 speakers.</i></p> <ul style="list-style-type: none"> - SYNC Communications & Entertainment System <p><i>Includes enhanced voice recognition with 911 Assist, 4.2" LCD center stack screen, AppLink, 1 smart-charging USB port and steering wheel audio controls.</i></p> <ul style="list-style-type: none"> - Chrome Front Bumper - Steering Wheel-Mounted Cruise Control 	
90L	<p>Power Equipment Group</p> <p><i>Deletes passenger side lock cylinder. Includes upgraded door-trim panel.</i></p> <p><i>Includes:</i></p> <ul style="list-style-type: none"> - Accessory Delay - Advanced Security Pack <p><i>Includes SecuriLock Passive Anti-Theft System (PATS) and inclination/intrusion sensors.</i></p> <ul style="list-style-type: none"> - Trailer Tow Mirrors w/Power Heated Glass <p><i>Includes manual telescoping, heated convex spotter mirror and integrated clearance lamps/turn signals.</i></p> <ul style="list-style-type: none"> - MyKey <p><i>Includes owner controls feature.</i></p> <ul style="list-style-type: none"> - Power Front Side Windows <p><i>Includes 1-touch up/down driver/passenger window.</i></p> <ul style="list-style-type: none"> - Power Locks - Remote Keyless Entry 	\$915.00
473	<p>Snow Plow Prep Package</p> <p><i>Includes pre-selected springs (see order guide supplemental reference for springs/FGAWR of specific vehicle configurations). Note 1: Restrictions apply; see supplemental reference or body builders layout book for details. Note 2: Also allows for the attachment of a winch.</i></p>	\$185.00
98G	<p>CNG/Propane Gaseous Engine Prep Package</p> <p><i>Includes hardened engine intake valves and valve seats. Note: This package does not include CNG/propane fuel tanks, lines, etc. Vehicle will be equipped with the standard factory gasoline fuel system. Additional equipment combined with certified calibration reflash is required, from an external upfitter, to convert the vehicle to a CNG/propane fueled vehicle. See alternative fuel buyers guide: www.ford.com/altfuelbuyersguide. Ford Motor Company does not provide an exhaust or evaporative emissions certificate with this option when converted to use CNG or propane fuel. Ford does not represent that a vehicle converted to use CNG or propane will comply with all applicable U.S. or Canadian safety standards. It is the responsibility of the final stage manufacturer (body-builder, installer, alterer or subsequent stage manufacturer) to determine that any vehicle converted to use CNG or propane complies with U.S. federal, California or Canadian exhaust and evaporative emission requirements, federal fuel economy standards, U.S. and Canadian safety standards, labeling and any other requirements.</i></p>	\$315.00
62R	<p>Transmission Power Take-Off Provision</p> <p><i>Includes mobile and stationary PTO modes.</i></p>	\$280.00
65M	<p>26.5 Gallon Mid Ship Fuel Tank</p>	\$125.00
52B	<p>Trailer Brake Controller</p> <p><i>Includes smart trailer tow connector. Verified to be compatible with electronic actuated drum brakes only.</i></p>	\$270.00
18B	<p>Platform Running Boards</p>	\$320.00
585	<p>Radio: AM/FM Stereo/MP3 Player</p> <p><i>Includes 4 speakers.</i></p> <p><i>Includes:</i></p> <ul style="list-style-type: none"> - SYNC Communications & Entertainment System <p><i>Includes enhanced voice recognition with 911 Assist, 4.2" LCD center stack screen, AppLink, 1 smart-charging USB port and steering wheel audio controls.</i></p>	Included

Fleet Options

Prices and content availability as shown are subject to change and should be treated as estimates only. Actual base vehicle, package and option pricing may vary from this estimate because of special local pricing, availability or pricing adjustments not reflected in the dealer's computer system. See salesperson for the most current information.



Selected Options (cont'd)

Code	Description	MSRP
525_	Steering Wheel-Mounted Cruise Control	Included
Emissions		
425	50-State Emissions System	STD
Interior Colors		
AS_04	Medium Earth Gray	N/C
Primary Colors		
PQ_01	Race Red	N/C
Upfit Options		
P-01	Municipal Plates/Title-Shipped	\$203.00
Bloom-001	Snow and Ice Package	\$38,463.00

Prices and content availability as shown are subject to change and should be treated as estimates only. Actual base vehicle, package and option pricing may vary from this estimate because of special local pricing, availability or pricing adjustments not reflected in the dealer's computer system. See salesperson for the most current information.



Selected Options (cont'd)

Code	Description	MSRP
	<p>Mark III utility sized single axle dump body Body Length: 8' body length Side / Tailgate Height: 13" side height / 19" tailgate height 2.3/3.3 yd Hoist Type: Telescopic hoist, trunion mount Hoist Cylinder: CS 85-4.5-3 double acting cylinder ILO standard Pump Pack: None - deduct standard pump pack Side Construction: Double Wall 12 ga FIXED Sides Optional Sides/Ends Materials: 201SS sides and ends Optional Floor Materials: 3/16" AR400 floor ILO std grade 50 Tailgate Style: Quick Release handle offset toward curb side Headsheet Type: Inward tapered headsheet with integral 53" cabshield Integral Cabshield Notice: !!!DEALER TO VERIFY CHASSIS CAB CLEARANCE PRIOR TO ORDER!!! Option 1 Description: Delete window cut outs Option 2 Description: Delete light kits Option 3 Description: CS Lightboxes w/ two rwd & 1 side per side TGS salt / sand spreader TROUGH MATERIAL: Grade 50 AUGER SIZE AND TYPE: 6" dia. auger, 5:1 gearcase drive MOUNTING BRACKETS: Std brackets for 96" wide bodies MOTOR W/ SPEED SENSOR: Motor w/integral speed sensor PAINT: Highway orange paint Option 1 Description: full opening clean out door Installation Workup Facility: IDC-IL Chassis Delivery To Henderson: Truck Dealer/Customer Delivers Completed Truck Delivery Method: Customer Pick-Up Chassis Make: Ford Chassis Model Yr: 2020 Chassis Model: F-450 HENDERSON PRODUCTS, INC. 11921 SMITH DRIVE HUNTLEY, IL 60142 PHONE: 847-836-4996 FAX: 563-927-7108 CUSTOMER QUOTE Page 2 Quote #118744 Rev #23 Useable CA/CT: 60in. Front Frame Wall: Single Wall Front Frame Width: 34" Pump Location: Transmission Mount Pump Transmission Type: Automatic Transmission Model: Allison Transmission Front Plow Type: Western/Fisher Type Plow Western/Fisher Plow Spec: Western Pro Plus 9ft. Dump Body Type: Mark Three Floor Length: 8' floor length Hoist Type: Telescopic Hoist w/ Subframe Cylinder Type: Double Acting Body Material (Sides/ends): Stainless Steel Type Body Material Cabshield Install: Supplied/Installed @ Factory (sales to order w/ unit) Shovel Holder: (1) IDC Supl'd Spring Loaded SS Shovel Holder w/ SS brckt Shovel Holder Loc (1): Driver side headsheet Fuel Fill Neck Mod, Ford/Dodge: Yes Body Spec Notes: Spreader Type: TGS TGS Drive Type: Hydraulic Drive TGS Spinner Configuration: Single Spinner Install TGS Body Type: Standard straight gate body install TGS mounting type: STD TGS brackets (supplied with unit) HYD QD Mount Brackets: Stainless Steel QD Mount in front of dump body bolster Chassis Accessories: Yes (SELECT RELATED OPTIONS BELOW) Mudflaps (Rear): Swinging w/o Logo Mudflap Type (Rear): 36" Swinging, SS (No LOGO) Fenders: 1 Ton, Poly Fenders, SS Mount Pintle Plate: Yes (select from options below) Pintle Plate Configuration: 1 Ton, 5/8" Plate, 2" Recvr, (W/ D-rings, 3LTC) Pintle Hook: Not Required Trailer Plug (1): 6 Pin Trailer Plug, round (livestock trailer) Truck Wash: Complete Truck Wash/Clean/Vac 1 Warranty: Standard 1 Year Warranty Reflective Tape: Reflective Tape, No Logo (60' Linear) Chassis Install Options 1: 164118 Tri-Angle safety kit shipped loose Chassis Install Options 2: 161615 Fire extinguisher shipped loose</p>	

Prices and content availability as shown are subject to change and should be treated as estimates only. Actual base vehicle, package and option pricing may vary from this estimate because of special local pricing, availability or pricing adjustments not reflected in the dealer's computer system. See salesperson for the most current information.



Selected Options (cont'd)

Code	Description	MSRP
	<p>Chassis Install Options 3: 160116 PLATE,MOUNTING,PINTLE HOOK Electrical: Yes (SELECT RELATED OPTIONS BELOW) Power Distribution Panel: Power Distribution Panel Misc Electrical Supplies: Req'd Misc Elect Supplies Worklight(s) QTY: (QTY 1) Work Light (Select type below) HENDERSON PRODUCTS, INC. 11921 SMITH DRIVE HUNTLEY, IL 60142 PHONE: 847-836-4996 FAX: 563-927-7108 CUSTOMER QUOTE Page 3 Quote #118744 Rev #23 Worklight (1) Type: LED, Worklight, 4in Round (Optilux) Worklight (1) Gen Location: Tailgate Spinner Cabshield Warning Light Qty: Qty 4 Lights (Order Holes with Unit) Cabshield Warning Lights: QTY 4, 6" LED Oval Strobes, Amber (order holes w/unit) Cabshield S/T/T: QTY 2, 6.5" LED S/T/T for Cabshield (order boxes w/unit) Cabshield Lighting Harness: Cabshield Warning (qty 2-6) & STT Cab Beacon: LED Beacon, 360 deg w/201 SS Self Leveling Mounting Bracket Rear Dump Bolster (S/T/T): LED S/T/T/BU, MK3, Grote harness light kit OEM Light Remount: Remount OEM Chassis Lights Back up alarm: Backup Alarm, 97db Junction Box/Backup Alarm Bracket: Backup Alarm Bracket Installed Body up switch/light: Body UP Switch/Body Up Light (Buy) License Plate Lights: IDC Supplied License Plate Light Gray Housing Backbone & Wire Standoffs: 10' Backbone (For SA) GPS System: New Installation (note materials below) GPS Special: Precise AVL Quote # QT200-1001722-2 Electrical Install Opt 1: 161055 PINTLE HOOK, 8 TON,COMBO Hydraulics: Full Hydraulic Package Hyd Supplier: Force America (Select Pkg Below) Hyd Supplier (Spec): Force Quote # QT001-1131357-1 Controls Type: Electric Controls PTO Type: Included in Hydraulics Package SS Tubing Upgrade: SA,Rear Lines Only, 9' Lines Quick Coupler Upgrade: Standard Quick Couplers Hyd Options 1: Install joystick module off headrest Hyd Options 2: Force One Central Hydraulic System Hyd Options 3: Stainless steel valve enclosure Hydraulics Notes: Single Package: \$38,463.00 Package(s) : 1 Total: \$38,463.00 Signed: _____ Date: _____</p>	
	Quote notes:	
SUBTOTAL		\$80,666.00
Destination Charge		\$1,595.00
TOTAL		\$82,261.00

Prices and content availability as shown are subject to change and should be treated as estimates only. Actual base vehicle, package and option pricing may vary from this estimate because of special local pricing, availability or pricing adjustments not reflected in the dealer's computer system. See salesperson for the most current information.



Warranty - Standard Equipment & Specs

Warranty

Basic

Distance 36,000 miles Months 36 months

Powertrain

Distance 60,000 miles Months 60 months

Corrosion Perforation

Distance Unlimited miles Months 60 months

Roadside Assistance

Distance 60,000 miles Months 60 months

Prices and content availability as shown are subject to change and should be treated as estimates only. Actual base vehicle, package and option pricing may vary from this estimate because of special local pricing, availability or pricing adjustments not reflected in the dealer's computer system. See salesperson for the most current information.



Pricing - Single Vehicle

	MSRP
<i>Vehicle Pricing</i>	
Base Vehicle Price	\$38,040.00
Options & Colors	\$3,960.00
Upfitting	\$38,666.00
Destination Charge	\$1,595.00
<i>Discount Adjustments</i>	
Discount	-\$10,399.00
<hr/>	
Total	\$71,862.00

 Customer Signature

 Acceptance Date

Prices and content availability as shown are subject to change and should be treated as estimates only. Actual base vehicle, package and option pricing may vary from this estimate because of special local pricing, availability or pricing adjustments not reflected in the dealer's computer system. See salesperson for the most current information.



Pricing - Multiple Vehicles (2)

	MSRP
<i>Vehicle Pricing</i>	
Base Vehicle Price	\$76,080.00
Options & Colors	\$7,920.00
Upfitting	\$77,332.00
Destination Charge	\$3,190.00
<i>Discount Adjustments</i>	
Discount	-\$20,798.00
<hr/>	
Total	\$143,724.00

 Customer Signature

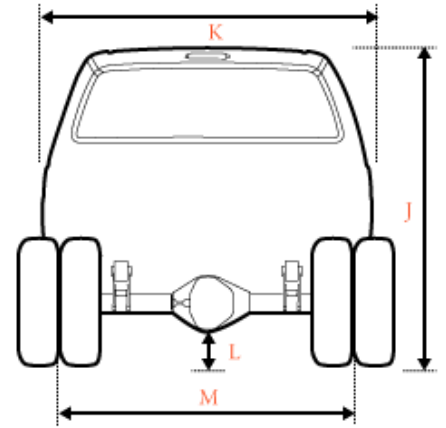
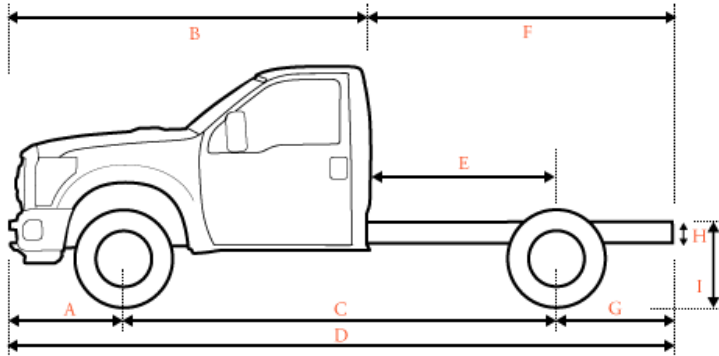
 Acceptance Date

Prices and content availability as shown are subject to change and should be treated as estimates only. Actual base vehicle, package and option pricing may vary from this estimate because of special local pricing, availability or pricing adjustments not reflected in the dealer's computer system. See salesperson for the most current information.



Performance

Performance predictions in this report represent an estimate of vehicle performance based on standard operating conditions. Variations in customer equipment, load configuration, ambient conditions, and/or operator driving techniques can cause significant variations in vehicle performance. These values are not representative of results that may be shown in actual dynamometer tests. This report should therefore be used as a guide for comparative vehicle performance.



Dimensions

A	Front of Bumper to Front Axle	38.30 in.
B	Front Bumper to Back of Cab (BBC)	123.70 in.
C	Wheelbase (WB)	145.00 in.
D	Overall Length (OAL)	230.70 in.
E	Back of Cab to Rear Axle (CA)	60.00 in.
F	Back of Cab to End of Frame	107.20 in.
G	Rear Axle to End of Frame (AF)	47.20 in.
H	Frame Section Height	N/A
I	Rear Frame Height Unloaded	35.00 in.
I	Rear Frame Height Loaded	28.70 in.
J	Cab Height	81.70 in.
K	Body Width	80.00 in.
L	Maximum Ground Clearance	N/A
L	Minimum Ground Clearance	8.20 in.
M	Front Tread	74.80 in.
M	Rear Tread	74.00 in.

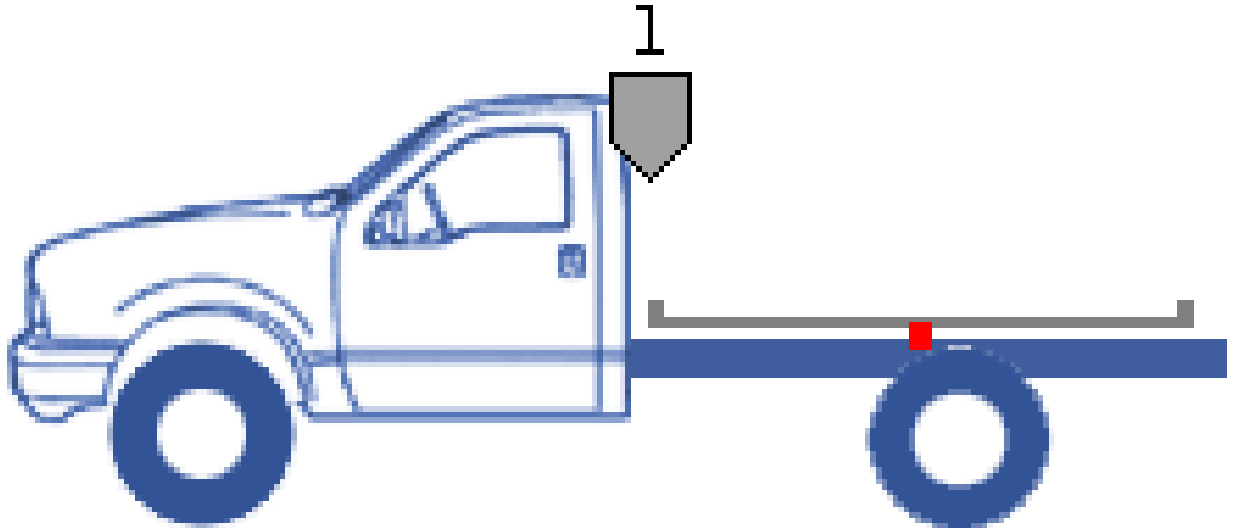
Body Specs

Truck body style:	Dump
Cab to body gap:	3.00 in.
Body length:	8.00 ft
Body tare weight:	4,000 lbs
Body width:	96 in.
Body height from ground:	114 in.
Body Centre gravity (from front):	48.00 in.

Prices and content availability as shown are subject to change and should be treated as estimates only. Actual base vehicle, package and option pricing may vary from this estimate because of special local pricing, availability or pricing adjustments not reflected in the dealer's computer system. See salesperson for the most current information.



Performance (cont'd)



Weight

GVW	Front Axle	Rear Axle	Totals
Chassis	3,791 lbs	2,749 lbs	6,540 lbs
Body	248 lbs	3,752 lbs	4,000 lbs
Occupants Weight	300 lbs	150 lbs	450 lbs
Fuel	-56 lbs	-28 lbs	-84 lbs
1 Max Payload - (Max Payload)	2,217 lbs	3,377 lbs	5,594 lbs
TOTAL	6,500 lbs	10,000 lbs	16,500 lbs

Ratings	Front Axle	Rear Axle	GVWR
GAWR	6,500 lbs	12,880 lbs	16,500 lbs
Wheels/Tires	7,500 lbs	15,000 lbs	
Suspension	6,500 lbs	12,880 lbs	
Axle	7,000 lbs	13,660 lbs	
Legal Axle Limit	0 lbs	0 lbs	

Prices and content availability as shown are subject to change and should be treated as estimates only. Actual base vehicle, package and option pricing may vary from this estimate because of special local pricing, availability or pricing adjustments not reflected in the dealer's computer system. See salesperson for the most current information.



Performance (cont'd)

Start, Grade and Speed

Start	Ratio	Desired	Calculated
Start grade capability in 1st gear	3.97	15.00 %	28.54 %
Start grade capability in reverse	3.13	15.00 %	22.46 %
Grade	Ratio	Desired	Calculated
Maximum grade in 4th gear	1.15	3.00 %	8.69 %
Maximum grade in 5th gear	0.86	3.00 %	6.49 %
Maximum grade in 6th gear	0.67	3.00 %	5.09 %
Speed		Desired	Calculated
Top Speed (level grade)		75 mph	85 mph
<i>To meet your requirement you need a maximum axle ratio of 8.83</i>			
Top Speed on 3.0% grade		55 mph	
<i>To meet your requirement you need a maximum of 109 hp</i>			
Cruise Speed		60 mph	74 mph
Engine RPM at desired cruise speed			2,121 rpm

Variables in Use

Rear axle ratio:	4.88/4.88	Peak Torque RPM:	3,000 rpm
Tire size:	225/70R19.5 (645 rev/mile)	Frontal Area:	40.39 Sq.Ft.
Gross Vehicle Weight (GVW):	16,500 lbs	Cruising RPM:	2,600 rpm
Clutch engagement torque:	212 ft.lbs.	Worst road surface:	Typical Highway
Torque conversion ratio:	1.90	Final Drive Ratio:	0.67
Peak engine torque:	424 ft.lbs.	Drag Coefficient:	0.80
Engine Power:	288 hp @ 4,000 rpm		

Prices and content availability as shown are subject to change and should be treated as estimates only. Actual base vehicle, package and option pricing may vary from this estimate because of special local pricing, availability or pricing adjustments not reflected in the dealer's computer system. See salesperson for the most current information.



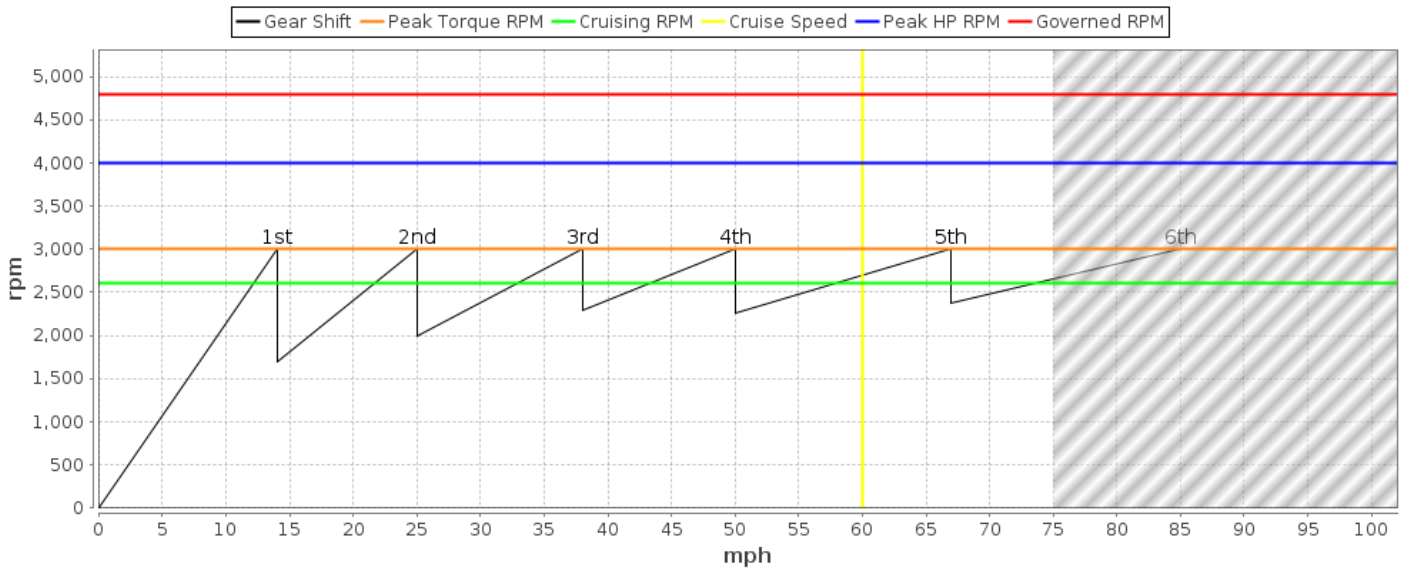
Performance (cont'd)

Shift Chart

Shift Chart displays mathematical geared speed.

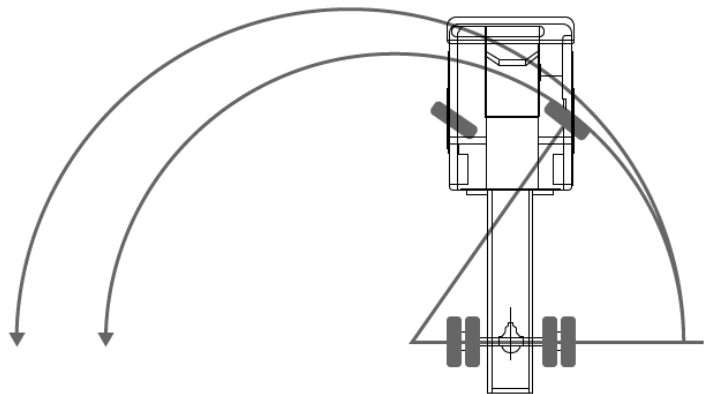
Diesel engines use Governed RPM for shift points.

Gas engines use Peak Torque RPM for shift points.



Turning Radius

Turning Radius 21.25 ft



Prices and content availability as shown are subject to change and should be treated as estimates only. Actual base vehicle, package and option pricing may vary from this estimate because of special local pricing, availability or pricing adjustments not reflected in the dealer's computer system. See salesperson for the most current information.