

AERIAL VIEW OF SIGNS



A Tower Gems

B "ORLAND PARK"

C "VILLAGE HALL"

D "CIVIC CENTER"

COMPANY: Village of Orland Park

EMAIL: mmazza@orlandpark.org

CONTACT: Mike Mazza

ADDRESS:

PHONE:

AUTHORIZED SIGNATURE

X



15501 South 70th Court
Orland Park, IL 60462

708.479-4949
ONEUPSIGNS.COM



COPYRIGHT NOTICE

This is an original, unpublished drawing submitted in connection with a project we are planning for you. This is not to be copied, reproduced, exhibited or shown to anyone outside of your organization without the written permission of One Up Signs.

UNAUTHORIZED USE WILL INCUR A DESIGN CHARGE. ARTWORK IS EXCLUSIVE PROPERTY OF ONE UP SIGNS, LLC.

VILLAGE HALL TOWER SIGN

Gem on east and west of tower structure



| | | | | | |
|----------|------------------------|--------|-----------------------|----------------------|------------|
| COMPANY: | Village of Orland Park | EMAIL: | mmazza@orlandpark.org | CONTACT: | Mike Mazza |
| ADDRESS: | | PHONE: | | AUTHORIZED SIGNATURE | X / / |



15501 South 70th Court
Orland Park, IL 60462

708.479-4949
ONEUPSIGNS.COM



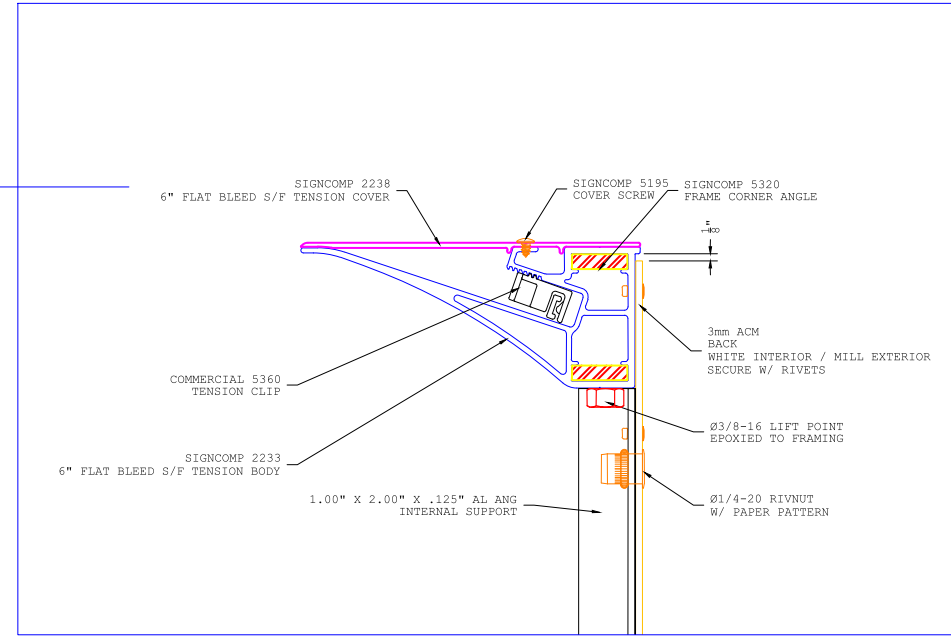
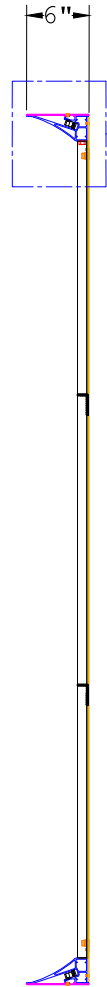
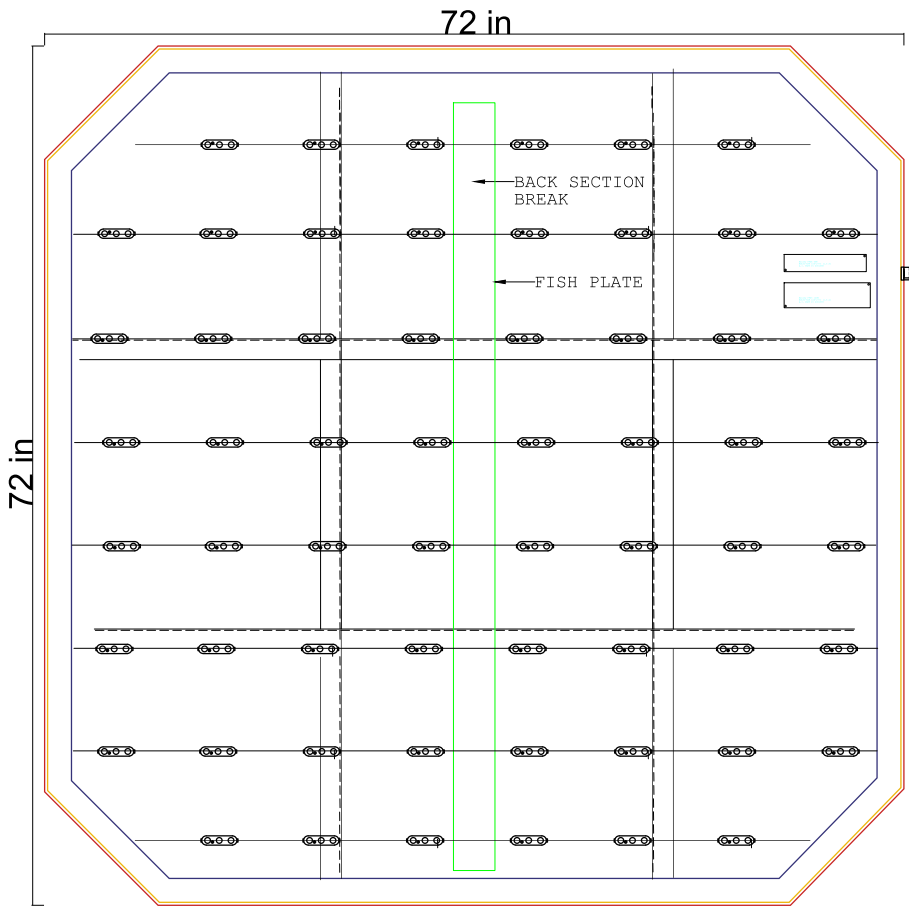
COPYRIGHT NOTICE

This is an original, unpublished drawing submitted in connection with a project we are planning for you. This is not to be copied, reproduced, exhibited or shown to anyone outside of your organization without the written permission of One Up Signs.

**UNAUTHORIZED USE WILL INCUR A DESIGN CHARGE.
ARTWORK IS EXCLUSIVE PROPERTY OF ONE UP SIGNS, LLC.**

TOWER GEMS DETAIL

Quantity: 2



SIGN AREA: 36 SF

| | | | | | |
|----------|------------------------|--------|-----------------------|----------------------|------------|
| COMPANY: | Village of Orland Park | EMAIL: | mmazza@orlandpark.org | CONTACT: | Mike Mazza |
| ADDRESS: | | PHONE: | | AUTHORIZED SIGNATURE | X / / |



15501 South 70th Court
Orland Park, IL 60462
708.479-4949
ONEUPSIGNS.COM

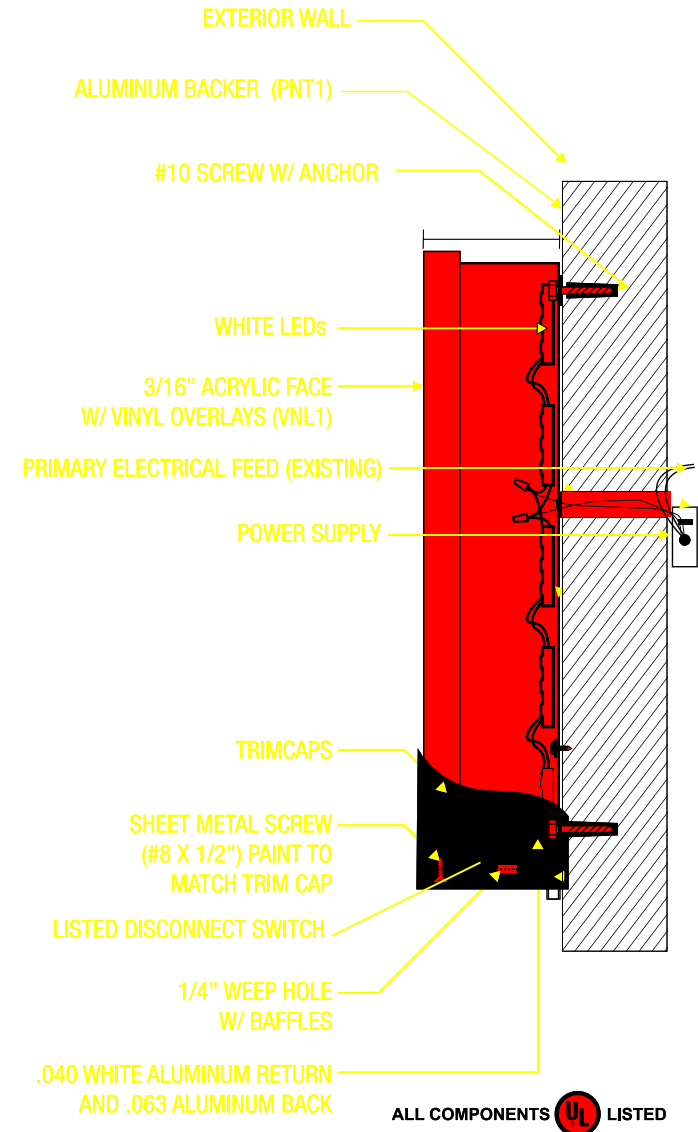


COPYRIGHT NOTICE
This is an original, unpublished drawing submitted in connection with a project we are planning for you. This is not to be copied, reproduced, exhibited or shown to anyone outside of your organization without the written permission of One Up Signs.
UNAUTHORIZED USE WILL INCUR A DESIGN CHARGE. ARTWORK IS EXCLUSIVE PROPERTY OF ONE UP SIGNS, LLC.

TOWER CHANNEL LETTERS

Quantity: 1

B "ORLAND PARK"



SIGN AREA: 50.25 SF

| | | | | | |
|----------|------------------------|--------|-----------------------|----------------------|------------|
| COMPANY: | Village of Orland Park | EMAIL: | mmazza@orlandpark.org | CONTACT: | Mike Mazza |
| ADDRESS: | | PHONE: | | AUTHORIZED SIGNATURE | X / / |



15501 South 70th Court
Orland Park, IL 60462

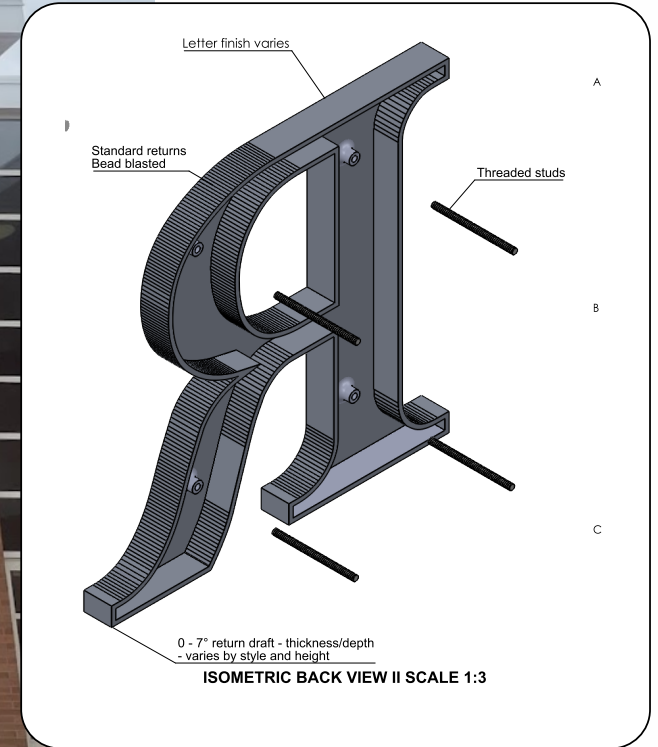
708.479-4949
ONEUPSIGNS.COM



COPYRIGHT NOTICE

This is an original, unpublished drawing submitted in connection with a project we are planning for you. This is not to be copied, reproduced, exhibited or shown to anyone outside of your organization without the written permission of One Up Signs.
UNAUTHORIZED USE WILL INCUR A DESIGN CHARGE. ARTWORK IS EXCLUSIVE PROPERTY OF ONE UP SIGNS, LLC.

VILLAGE HALL ENTRANCE SIGN



54.76 in

6.35 in

VILLAGE HALL

1.25" Cast Aluminum Letters
Stud Mounted
Painted Black

SIGN AREA: 2.41 SF

| | | | | | |
|----------|------------------------|--------|-----------------------|----------------------|------------|
| COMPANY: | Village of Orland Park | EMAIL: | mmazza@orlandpark.org | CONTACT: | Mike Mazza |
| ADDRESS: | | PHONE: | | AUTHORIZED SIGNATURE | X / / |



15501 South 70th Court
Orland Park, IL 60462

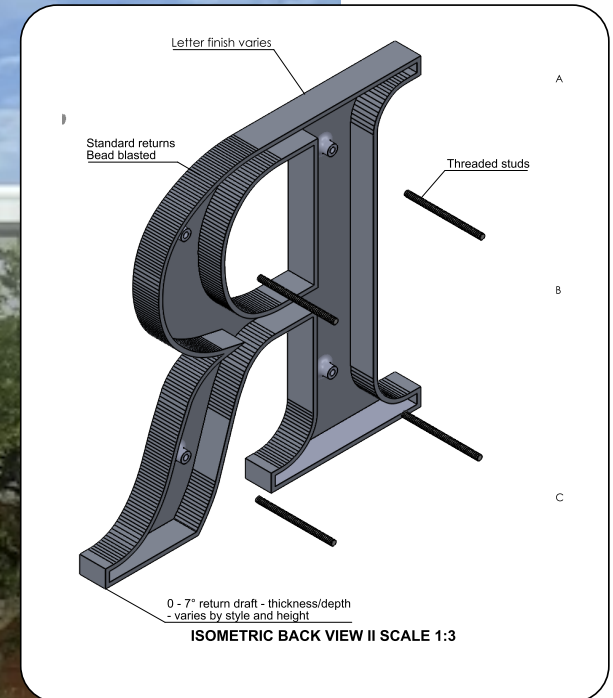
708.479-4949
ONEUPSIGNS.COM



COPYRIGHT NOTICE
This is an original, unpublished drawing submitted in connection with a project we are planning for you. This is not to be copied, reproduced, exhibited or shown to anyone outside of your organization without the written permission of One Up Signs.
**UNAUTHORIZED USE WILL INCUR A DESIGN CHARGE.
ARTWORK IS EXCLUSIVE PROPERTY OF ONE UP SIGNS, LLC.**

CIVIC CENTER SIGN

D "CIVIC CENTER"



55.33 in
6.35 in
CIVIC CENTER

1.25" Cast Aluminum Letters
Stud Mounted
Painted Black

SIGN AREA: 2.43 SF

| | | | | | |
|----------|------------------------|--------|-----------------------|-----------------------|------------|
| COMPANY: | Village of Orland Park | EMAIL: | mmazza@orlandpark.org | CONTACT: | Mike Mazza |
| ADDRESS: | | PHONE: | | AUTHORIZED SIGNATURE: | X / / |



15501 South 70th Court
Orland Park, IL 60462

708.479-4949
ONEUPSIGNS.COM



COPYRIGHT NOTICE
This is an original, unpublished drawing submitted in connection with a project we are planning for you. This is not to be copied, reproduced, exhibited or shown to anyone outside of your organization without the written permission of One Up Signs.
UNAUTHORIZED USE WILL INCUR A DESIGN CHARGE. ARTWORK IS EXCLUSIVE PROPERTY OF ONE UP SIGNS, LLC.