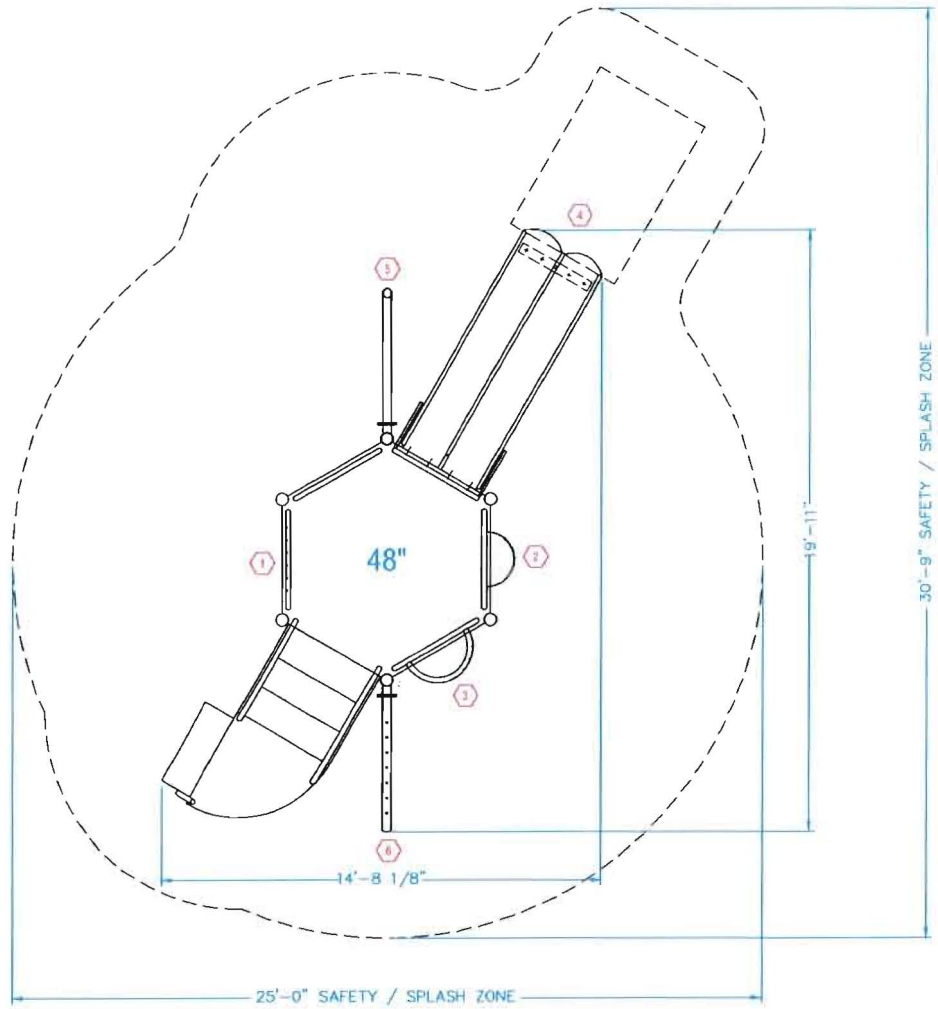


PRELIMINARY
NOT FOR CONSTRUCTION



PRODUCTS LIST

TAG	DESCRIPTION
①	ARCH JETS
②	BUBBLE WINDOW
③	RAINBOW ARCH
④	4' DUAL WAVE SLIDE
⑤	ARM, PIPE FALLS
⑥	ARM, BAR JETS

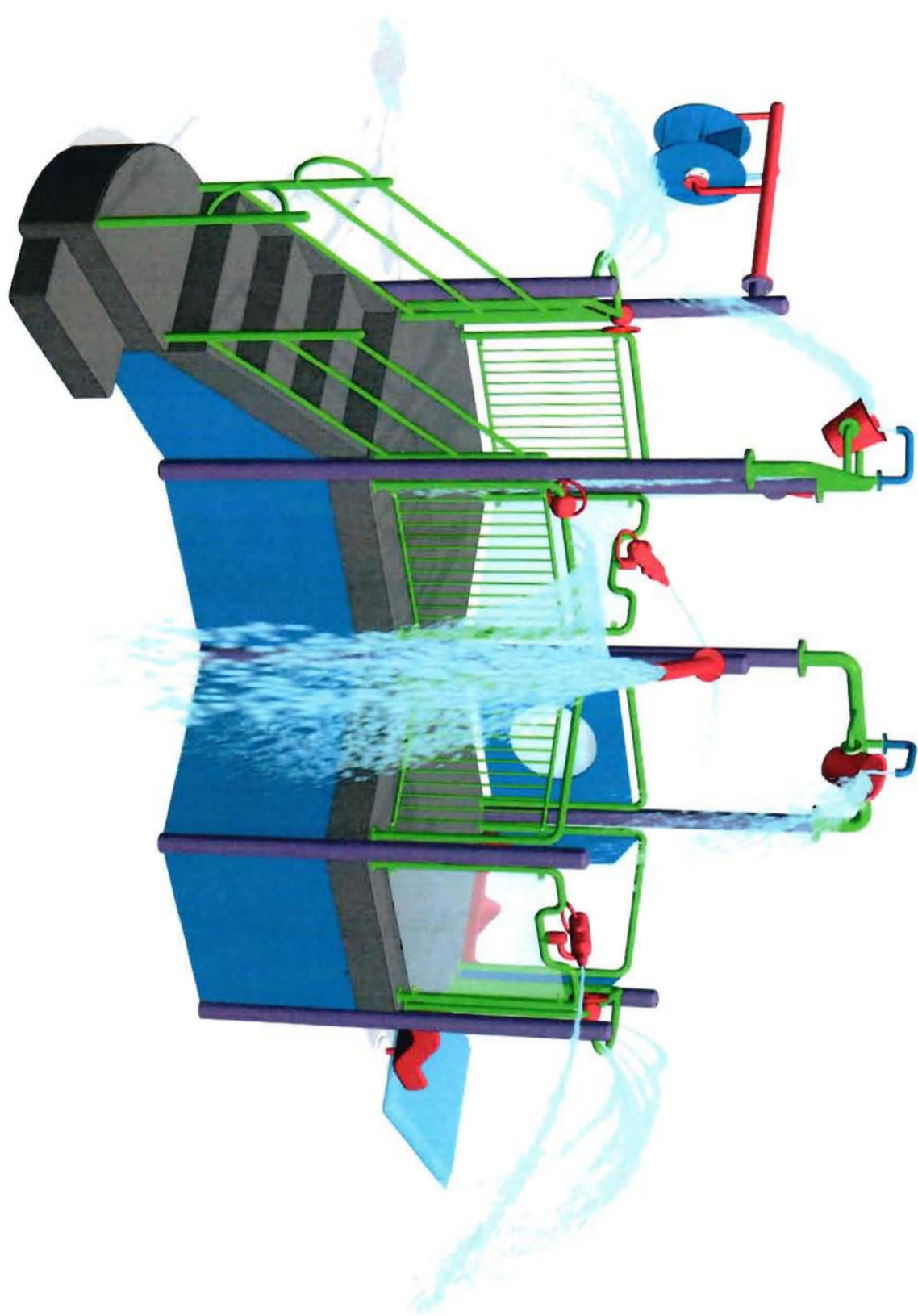
FLOW RATE: 175 GPM
TDH = 25'

STRUCTURE HEIGHT
APPROX: 10'-0"

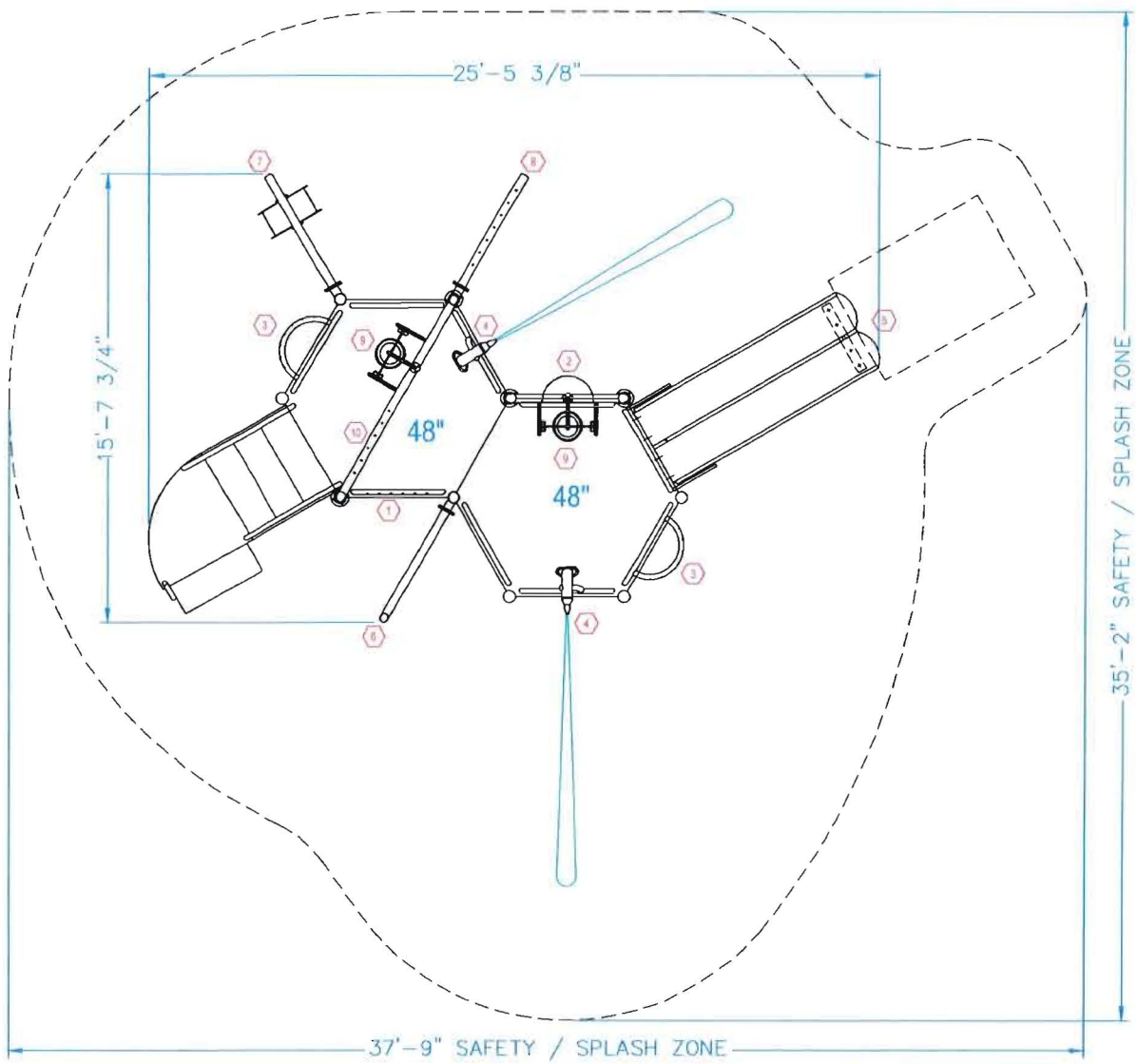
STRUCTURE AREA
APPROX: 40 SQ.FT.

SPLASH ZONE AREA
APPROX: 587 SQ.FT.

REV	DESCRIPTION	DATE	BY	CHKD
WHITE WATER WhiteWater West Industries Ltd 6702 Middle Way, Richmond, B.C. Canada V6V 1P7 Tel: (604) 273-1080 Fax: (604) 273-6116				
HYDROSTRUCTURE HS 100				
PROJECT NO.	DATE	BY	CHKD	REV



PRELIMINARY
NOT FOR CONSTRUCTION



PRODUCTS LIST

TAG	DESCRIPTION
1	ARCH JETS
2	BUBBLE WINDOW
3	RAINBOW ARCH (QTY. 2)
4	BLASTER (QTY. 2)
5	4' DUAL WAVE SLIDE
8	ARM, PIPE FALLS
7	ARM, WATER WHEEL
6	ARM, BAR JETS
9	OVERHEAD TIPPING BUCKET (QTY. 2)
10	OVERHEAD DOWN JETS

STRUCTURE HEIGHT
APPROX: 13'-2"

STRUCTURE AREA
APPROX: 80 SQ.FT.

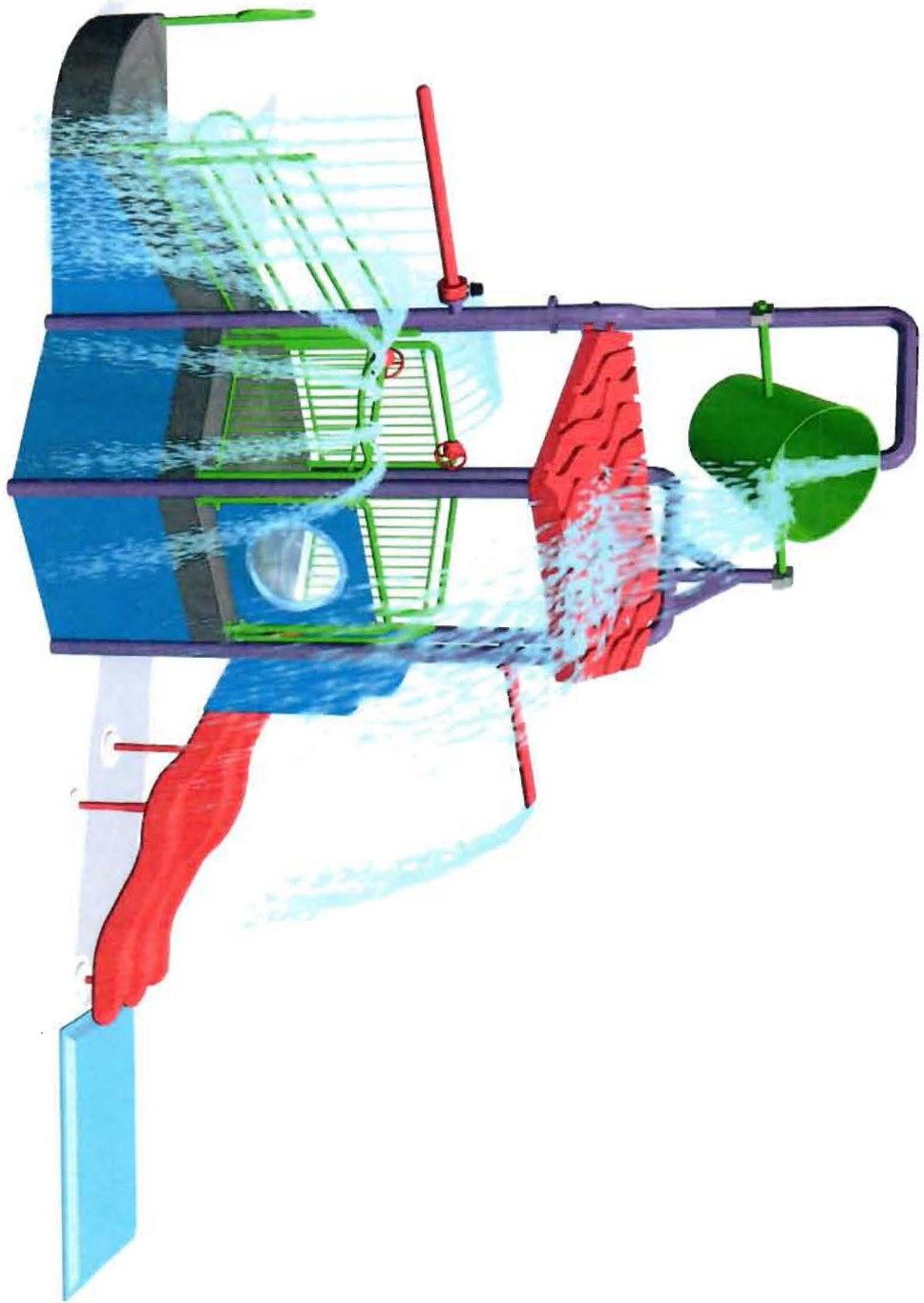
SPLASH ZONE AREA
APPROX: 927 SQ.FT.

REV	DESCRIPTION	DATE	BY	CHKD

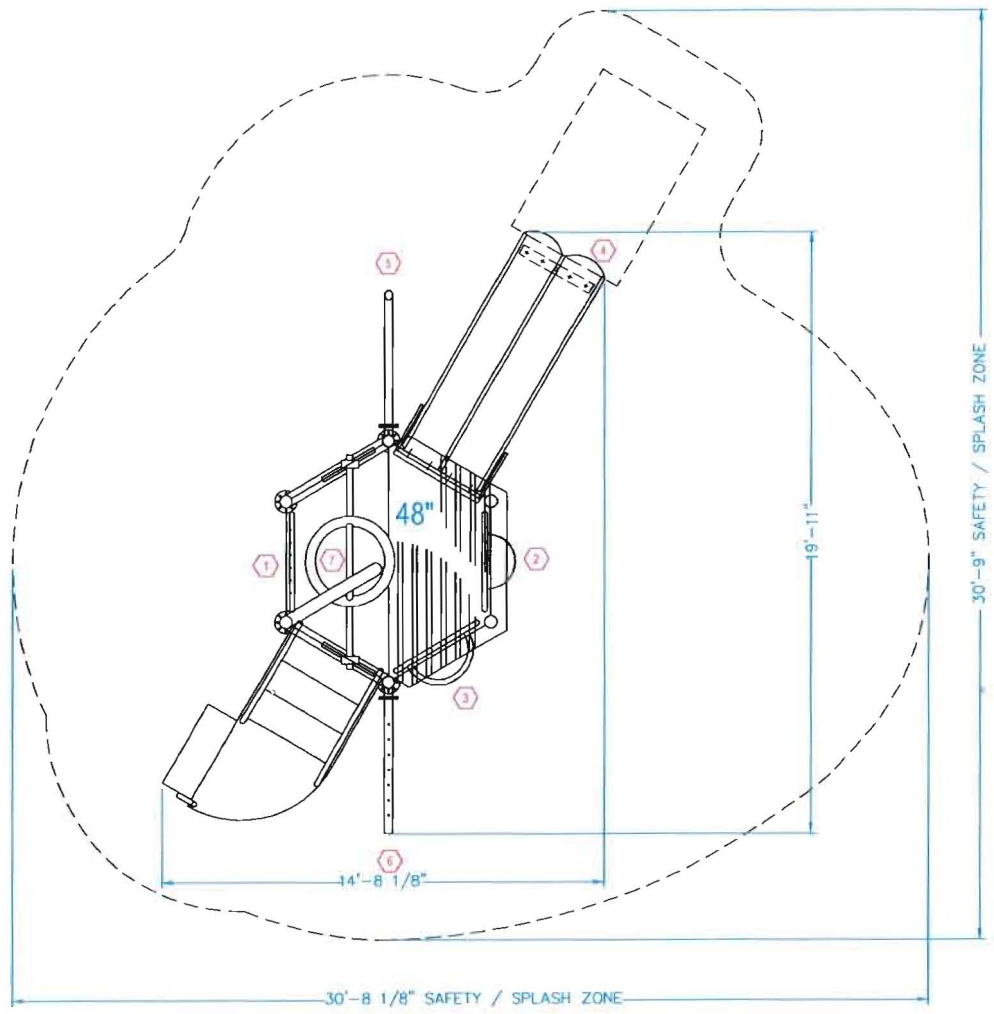
WHITE WATER
WhiteWater West Industries Ltd
6700 McMillan Way, Richmond, B.C. Canada V6X 1J7
Tel (604) 275-1008 Fax (604) 275-4518

HYDROSTRUCTURE
HS200

PROJECT NO: 01



PRELIMINARY
NOT FOR CONSTRUCTION



PRODUCTS LIST

TAG	DESCRIPTION
1	ARCH JETS
2	BUBBLE WINDOW
3	RAINBOW ARCH
4	4' DUAL WAVE SLIDE
5	ARM, PIPE FALLS
6	ARM, BAR JETS
7	3 TIPPING BUCKET

STRUCTURE HEIGHT
APPROX: 18'-0"

STRUCTURE AREA
APPROX: 40 SQ.FT.

SPLASH ZONE AREA
APPROX: 686 SQ.FT.

REV	ISSUED FOR CONSTRUCTION	DATE	BY
DATE	DATE	DATE	DATE
DATE	DATE	DATE	DATE
DATE	DATE	DATE	DATE

WHITE WATER
WhiteWater West Industries Ltd
8700 McMillan Way, Richmond, B.C. Canada V6X 1J7
Tel: (604) 273-6000 Fax: (604) 273-6008

HYDROSTRUCTURE
HS100WB

01

