

Preliminary, full 16' sections between proposed piers - AU 12/10/12

BOARD APPROVED

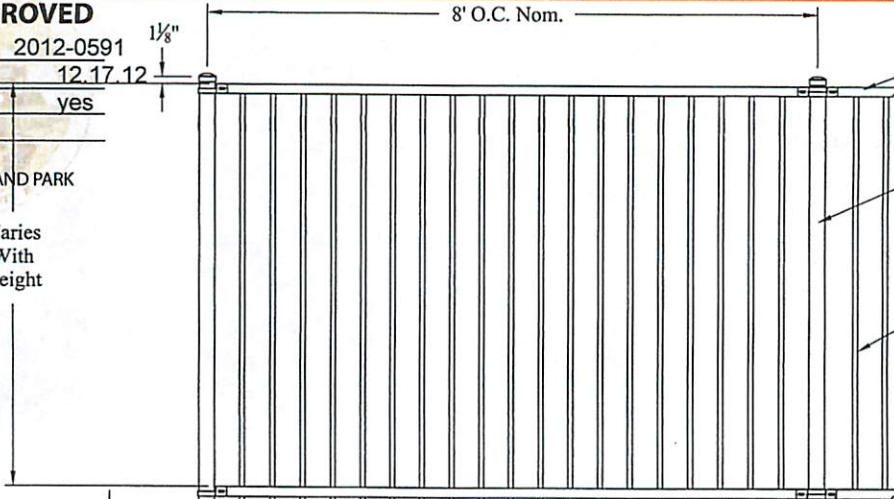
Case No: 2012-0591
 Date: 12.17.12
 W/Conditions: yes
 W/Out Conditions:

VILLAGE OF ORLAND PARK

Varies With Height

4'

③



1/2" MONTAGE PLUS™ Rail
 (See Cross-Section Below)

Post 2 1/2" x 16ga ①

3/4" 18ga Picket

Bracket Options

2" Nom.

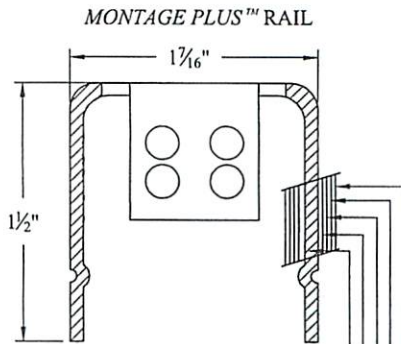
3 5/16" TYPICAL ③

36" Min. Footing Depth

NOTES:

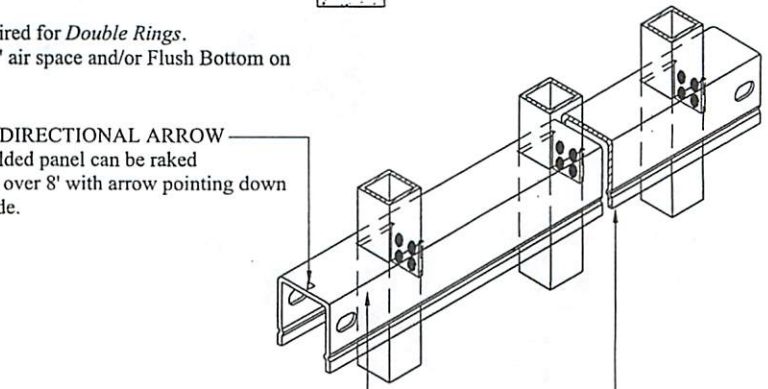
- 1.) Post size depends on fence height and wind loads. See MONTAGE PLUS™ specifications for post sizing chart.
- 2.) Third rail required for Double Rings.
- 3.) Available in 3" air space and/or Flush Bottom on most heights.

RAKING DIRECTIONAL ARROW
 Welded panel can be raked 30" over 8' with arrow pointing down grade.



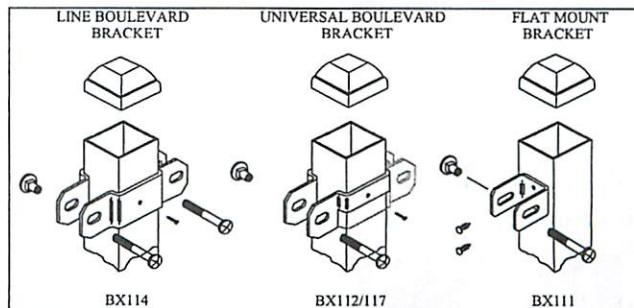
E-COAT COATING SYSTEM

- Base Material
- Uniform Zinc Coating (Hot Dip)
- Zinc Phosphate Coating
- Epoxy Primer
- Acrylic Topcoat



PROFUSION™ WELDING PROCESS
 No exposed welds,
 Good Neighbor profile - Same appearance on both sides

MONTAGE PLUS™ RAIL
 Specially formed high strength architectural shape.



COMMERCIAL STRENGTH WELDED STEEL PANEL
 PRE-ASSEMBLED

Values shown are nominal and not to be used for installation purposes. See product specification for installation requirements.

IRMISC

Title: MONTAGE PLUS MAJESTIC 2/3-RAIL			
DR: CI	SH. 1 of 1	SCALE: DO NOT SCALE	
CK: ME	Date 6/28/10	REV: e	



AMERISTAR®

1555 N. Mingo
 Tulsa, OK 74116
 1-888-333-3422
 www.ameristarfence.com

BOARD APPROVED

Case No: 2012-0591
 Date: 12.17.12
 W/Conditions: yes
 W/Out Conditions:

**EZ-MASON™
 COLUMN STYLES**

SORIES

VILLAGE OF ORLAND PARK



LPS2050



LPR2050



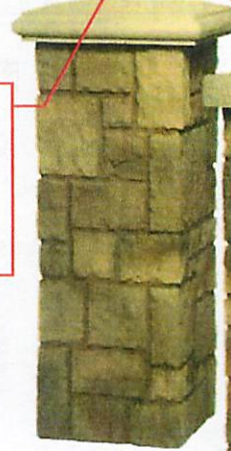
LBR2050



LLS2050



LCS2050



LCR2050



LMCR2050

**PRELIMINARY
 COLUMN - AU
 12/10/12
 BRICK COLOR TO
 MATCH BUILDING**



IAK14BR

COLUMN SLEEVE™ STYLES



LPS844



LPR844



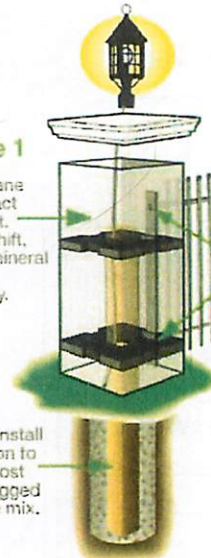
LBR844



LCS844

Figure 1

Durable polyurethane construction. Impact & UV fade resistant. Won't rot, crack, shift, scale or develop mineral efflorescence like traditional masonry.



Attach 4', 5', or 6' fencing directly to column base wall using common fasteners and support insert. Cut, drill or router openings for unique applications such as house numbers, outlets, plant holders, etc.

Rapidly install column on to 4" x 4" post set in bagged concrete mix.

Figure 2

Mount by sliding over 4" x 4" or 6" x 6" deck or railing post.



Book of Brick, Stucco or Stone

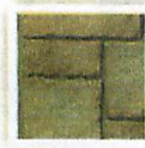
Colors Available in Castle Rock, LedgeStone, and Cobblestone



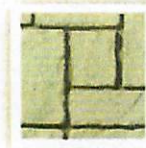
Sierra Sand



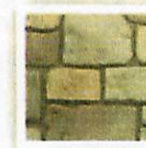
Limestone



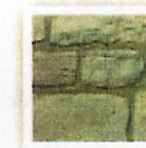
Beige Blend



Marble Gray



Summer Tan



Dakota Blend