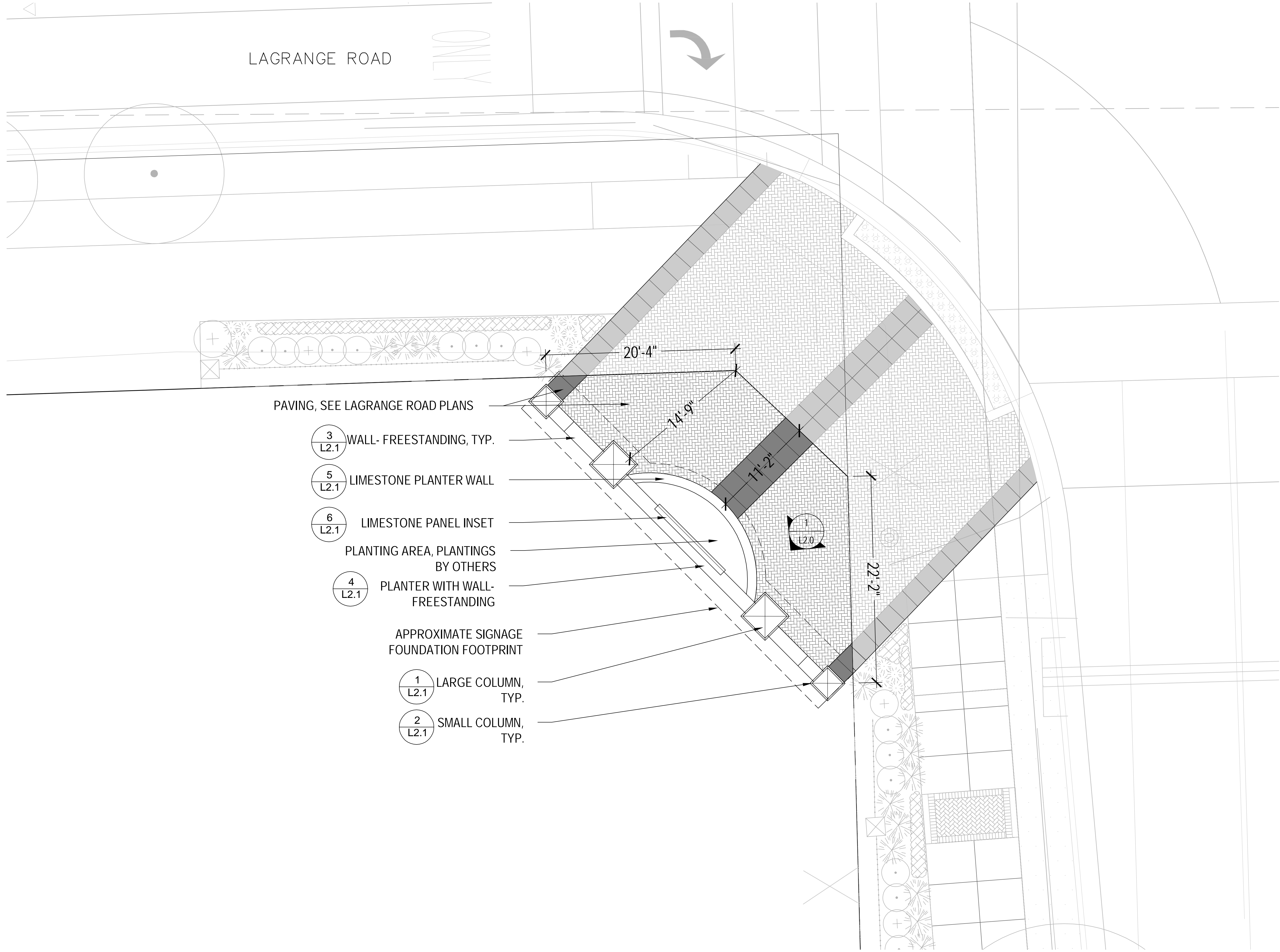


Drawing name: K:\GIS\DEV\NO-DEV\LaGrange Road- From Harddrive_2015-0822\Drawings\2015_0701_CSIS_Monument\Plan\Landscape Plan.dwg L1.0 SIGNAGE PLAN Dec 16, 2015 8:43pm by amanda.coble
 This document, together with the concepts and designs presented herein, is intended only for the specific purpose and client for which it was prepared. Reuse or any improper reliance on this document without written authorization and adaptation by Kimley-Horn and Associates, Inc. shall be without liability to Kimley-Horn and Associates, Inc.



PAVING, SEE LAGRANGE ROAD PLANS

3
L2.1 WALL- FREESTANDING, TYP.

5
L2.1 LIMESTONE PLANTER WALL

6
L2.1 LIMESTONE PANEL INSET

PLANTING AREA, PLANTINGS BY OTHERS

4
L2.1 PLANTER WITH WALL-FREESTANDING

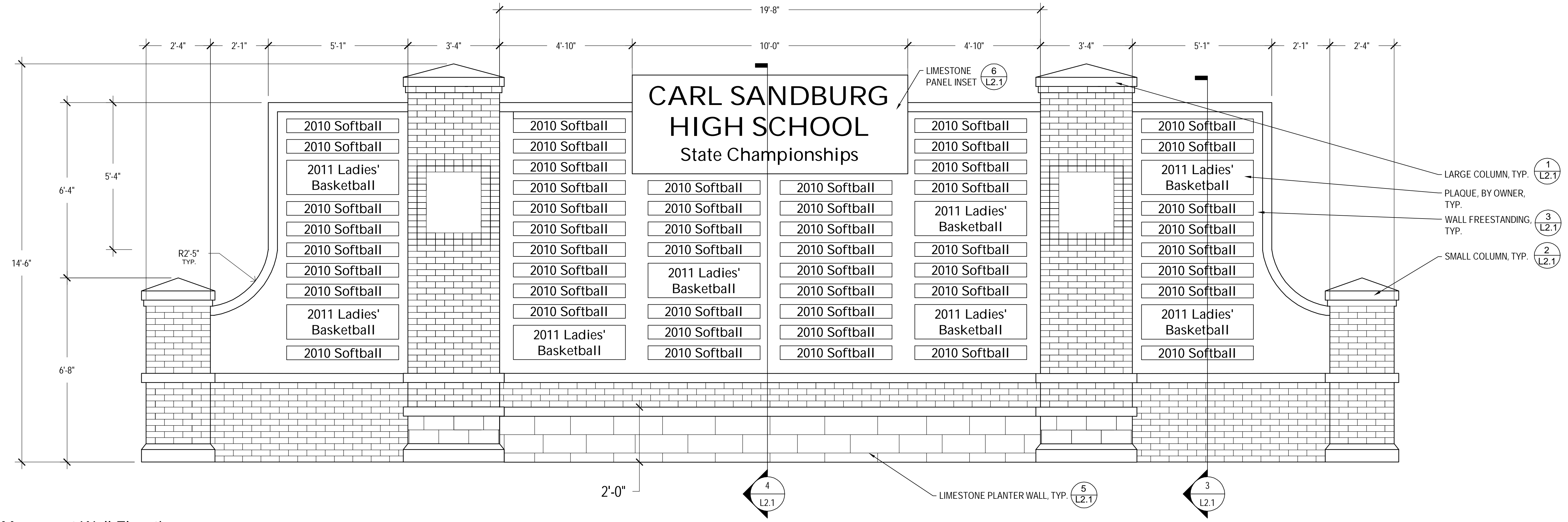
APPROXIMATE SIGNAGE FOUNDATION FOOTPRINT

1
L2.1 LARGE COLUMN, TYP.

2
L2.1 SMALL COLUMN, TYP.

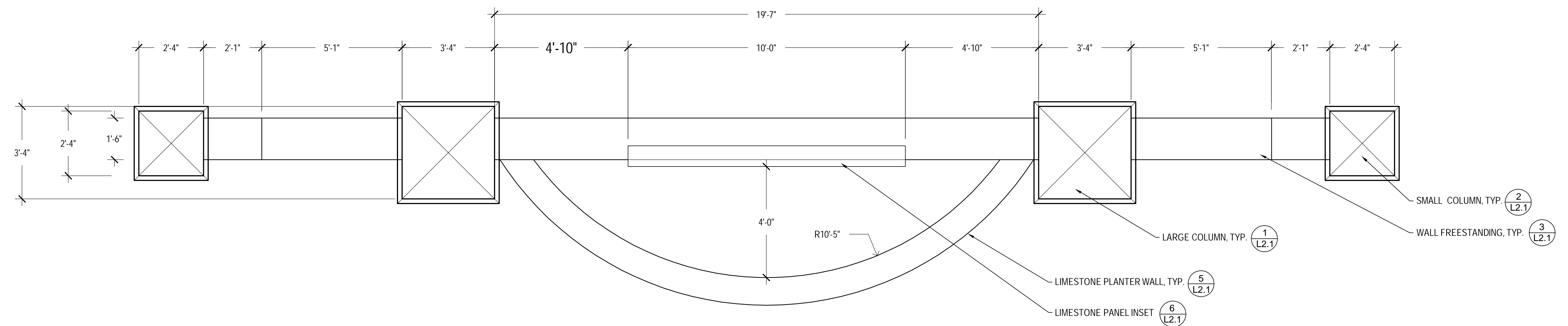
 © 2015 KIMLEY-HORN AND ASSOCIATES, INC. 1001 WARRENVILLE ROAD, SUITE 300, WARRENVILLE, OHIO 45166 PHONE: 631-487-5550 WWW.KIMLEY-HORN.COM			
SCALE:	AS NOTED		
DESIGNED BY:	KED		
DRAWN BY:	AMF		
CHECKED BY:	KED		
SIGNAGE PLAN			
CARL SANDBURG HIGH SCHOOL			
ORIGINAL ISSUE:	###		
KHA PROJECT NO.	###		
SHEET NUMBER	L1.0		
NO.	REVISIONS	DATE	BY

Drawing name: K:\SIS_DEVELOPMENT\LeBron\LeBron_2015-0823\Drawings\2015_0701_CSIS_Monument\Plan\Landscape Details.dwg L2.0_SIGNAGE DETAILS Dec 16, 2015 5:45pm by: amanda.foto
 This document, together with the concepts and designs presented herein, is intended only for the specific purpose and client for which it was prepared. Reuse of and improper reliance on this document without written authorization and adaptation by Kimley-Horn and Associates, Inc. shall be without liability to Kimley-Horn and Associates, Inc.



1 Monument Wall Elevation

SCALE: 1/2" = 1'-0"



2 Monument Wall Plan

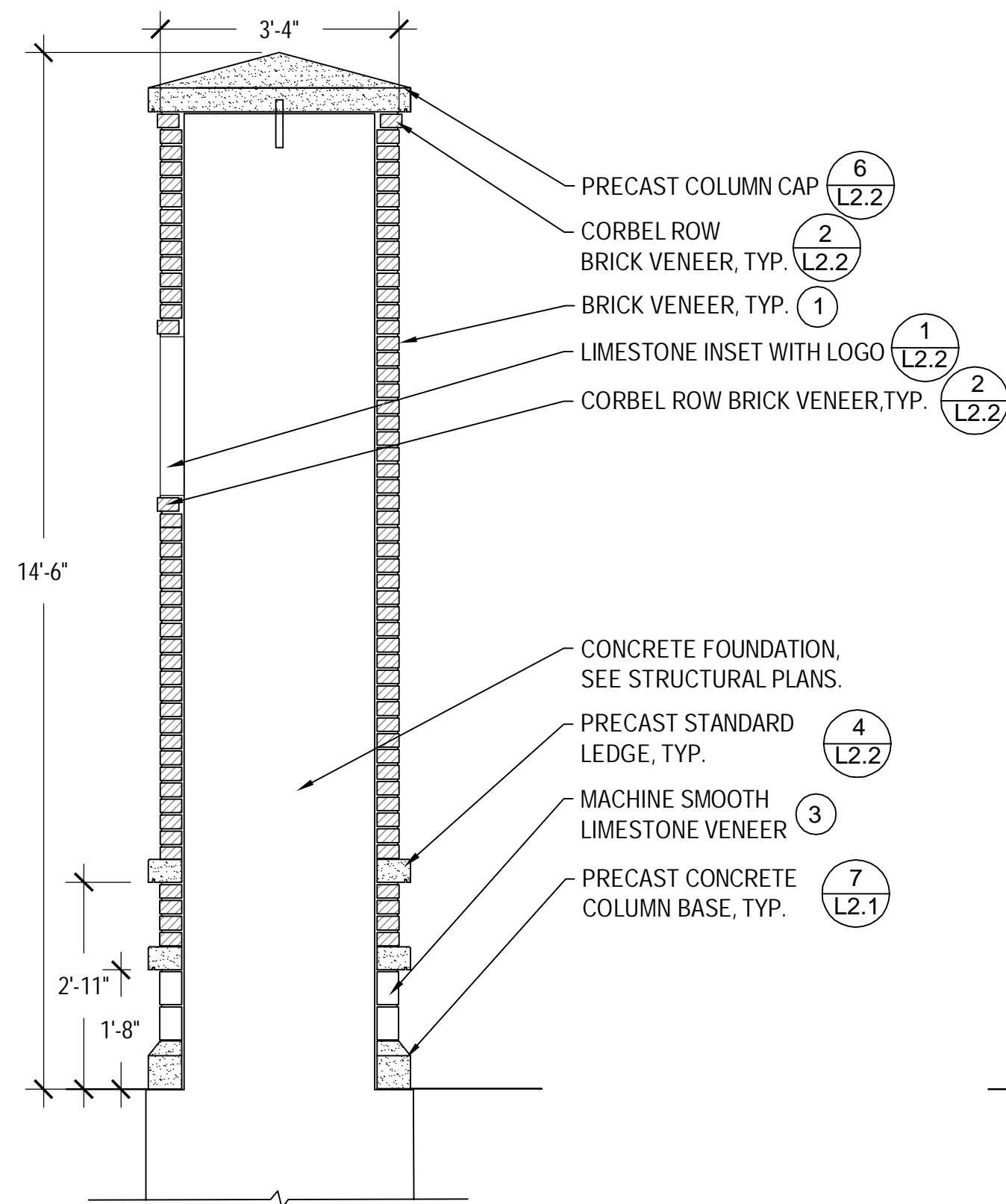
SCALE: 1/2" = 1'-0"

MATERIALS LIST

DESCRIPTION	DISTRIBUTOR	CONTACT	ITEM	COLOR
1 BRICK VENEER	BRANN CLAY PRODUCT	JOHN BRANN PH: 708-422-1000	RAWHIDE SERIES WIRE CUT CLAY FACE BRICK	SMOKED TUDOR MODULAR
2 MORTAR	DAVIS COLORS-SPECCO INDUSTRIES	SPECCO PH: 630-257-5060	TRUE TONE MORTAR	MC 58
3 DOLOMITIC LIMESTONE, MACHINE SMOOTH FINISH, LIMESTONE VENEER	MANKATO KASOTA STONE	MIKE BUCKLEY PH: 800-437-7059	NATURAL LIMESTONE VENEER	CREAM VEINE
4 MONUMENT AND WALL PRECAST COLOR CONCRETE CAP, BASE, LEDGE, VENEER BLOCK, MEDALLIONS, AND MONUMENT LEDGE	ARCHITECTURAL CAST STONE OR APPROVED EQUAL	CRAIG SURTA PH: 630-377-4800	INTEGRALLY COLORED LIGHT ACID ETCHED PRECAST COLORED CONCRETE	H3-SAND

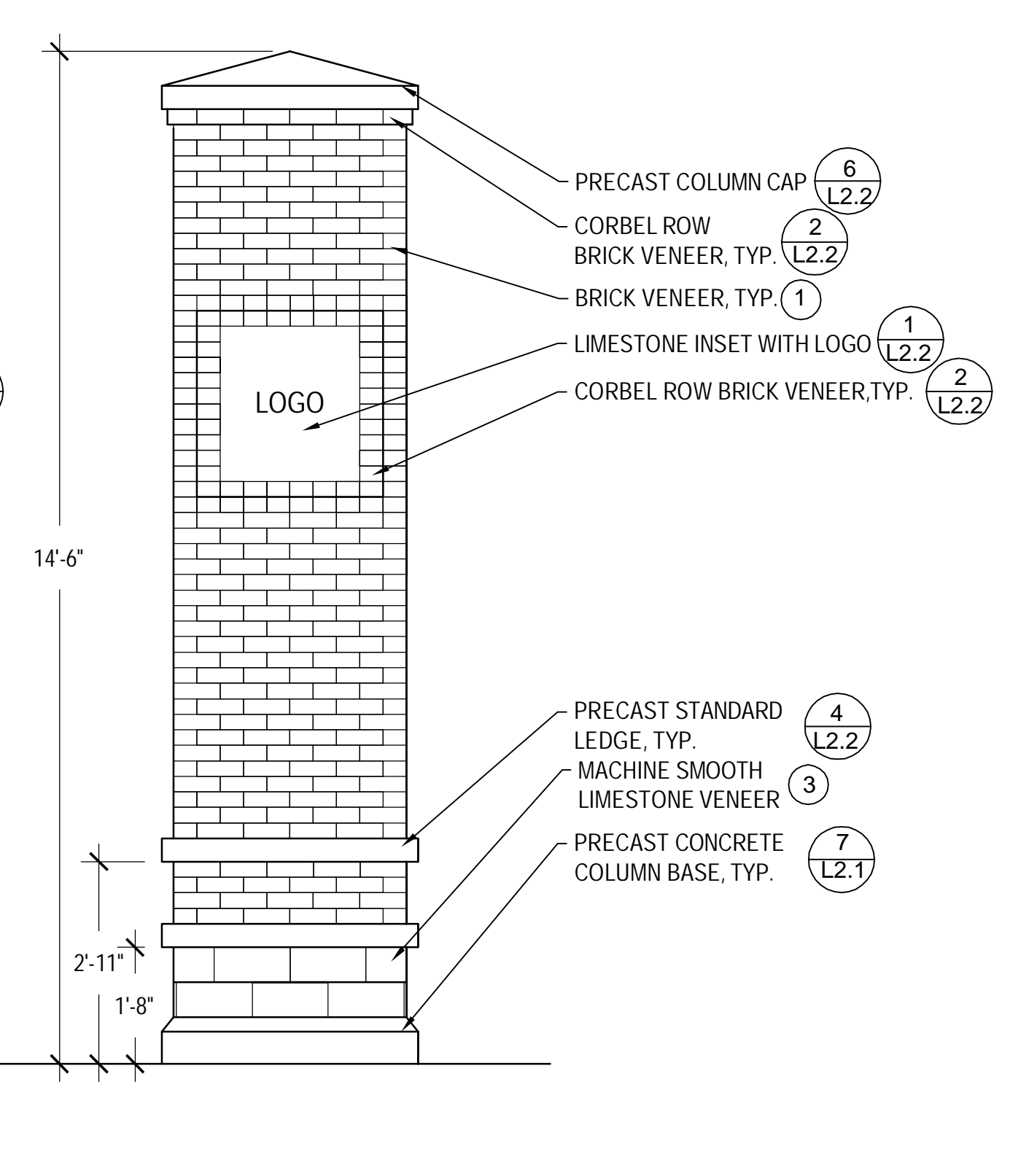
<p>© 2015 KIMLEY-HORN AND ASSOCIATES, INC. 1001 WARRENVILLE ROAD, SUITE 350, CINCINNATI, OH 45240 PHONE: 630-487-5550 WWW.KIMLEY-HORN.COM</p>	<table border="1" style="width: 100%; border-collapse: collapse;"> <tr> <th>NO.</th> <th>REVISIONS</th> <th>DATE</th> <th>BY</th> </tr> <tr> <td> </td> <td> </td> <td> </td> <td> </td> </tr> </table>	NO.	REVISIONS	DATE	BY				
NO.	REVISIONS	DATE	BY						
<p>SCALE: AS NOTED</p> <p>DESIGNED BY: KED</p> <p>DRAWN BY: AMF</p> <p>CHECKED BY: KED</p>	<p>SIGNAGE DETAILS</p>								
<p>CARL SANDBURG HIGH SCHOOL</p>									
<p>ORIGINAL ISSUE: ###</p> <p>KHA PROJECT NO. ###</p> <p>SHEET NUMBER</p> <p style="font-size: 24pt; font-weight: bold;">L2.0</p>									

Drawing name: K:\VIS_DEV\DEV\Exchange Road- From Herdvia, 2015-0823\Drawings\2015_0701_CBSIS Movement\Plan\Landscape Details.dwg L2.1 SIGNAGE DETAILS Dec 16, 2015 5:48pm by amanda.foto
 This document, together with the concepts and designs presented herein, is intended only for the specific purpose and client for which it was prepared. Reuse of and improper reliance on this document without written authorization and adaptation by Kimley-Horn and Associates, Inc. shall be without liability to Kimley-Horn and Associates, Inc.



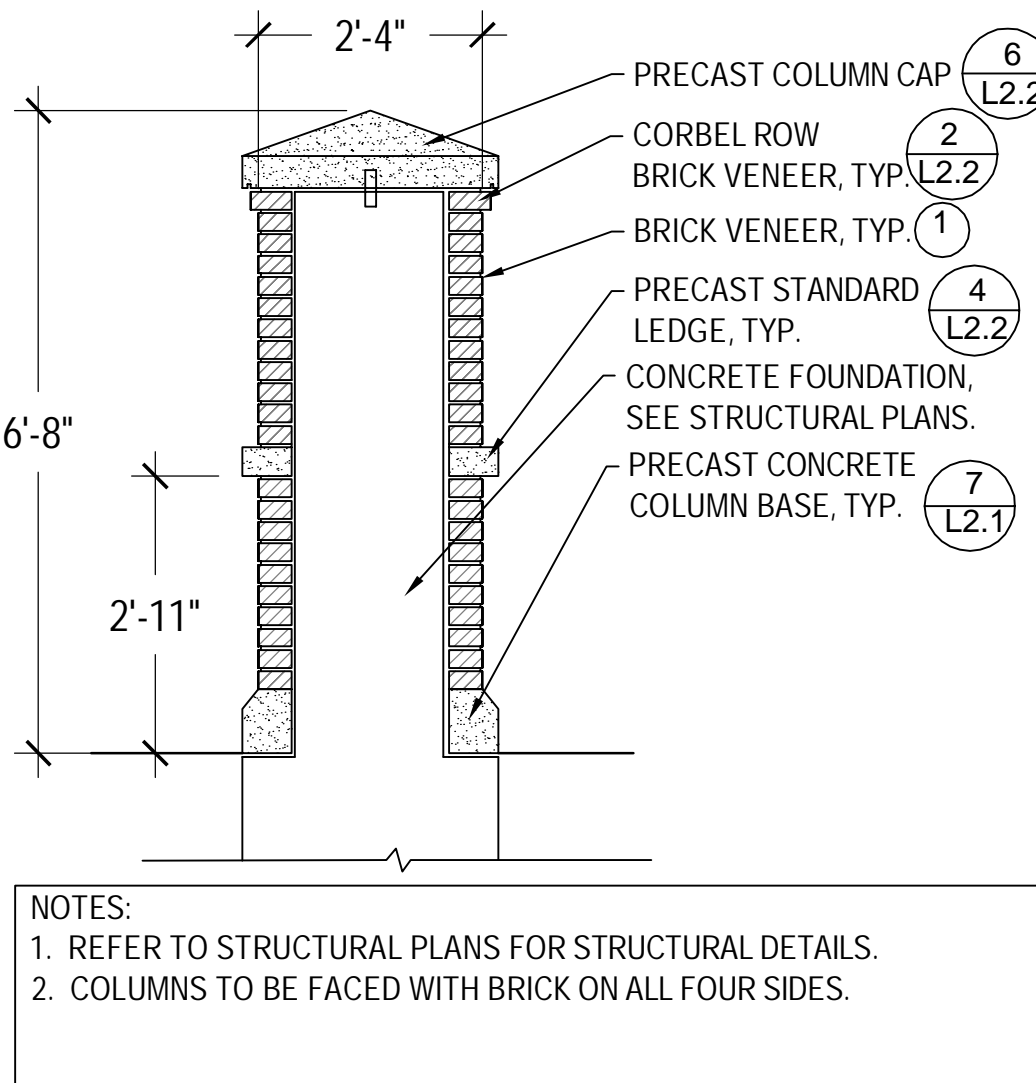
1 LARGE COLUMN

SCALE: 1/2" = 1'-0"

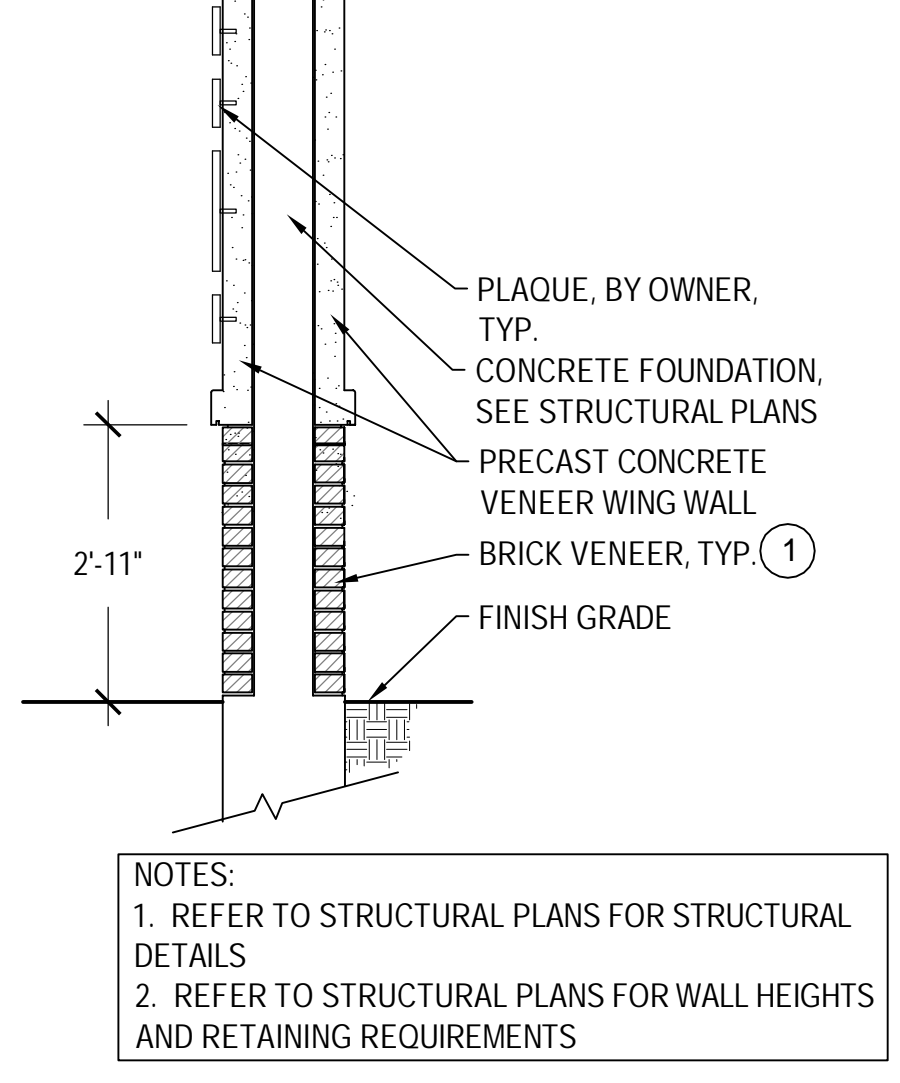
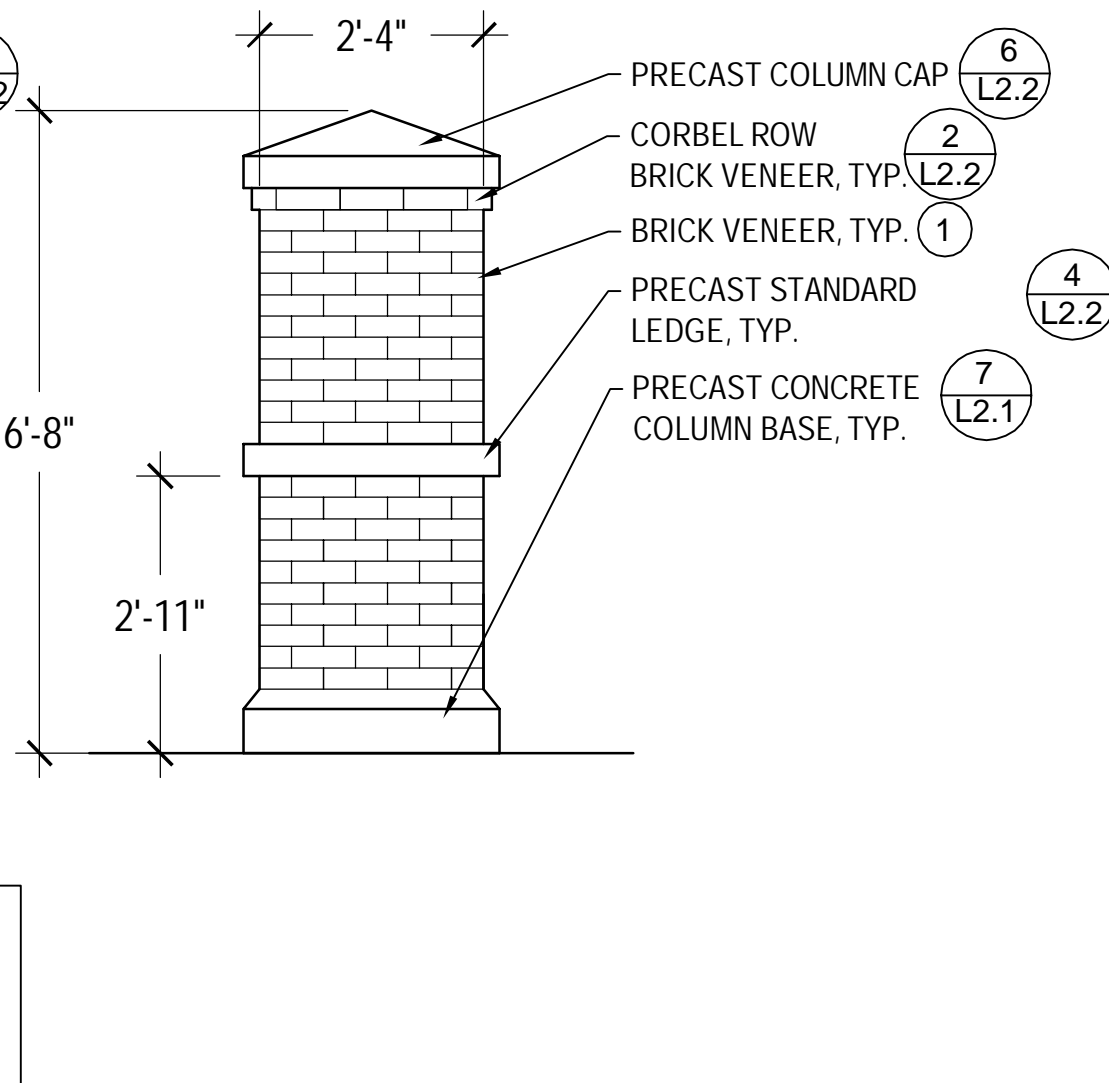


2 SMALL COLUMN

SCALE: 1/2" = 1'-0"



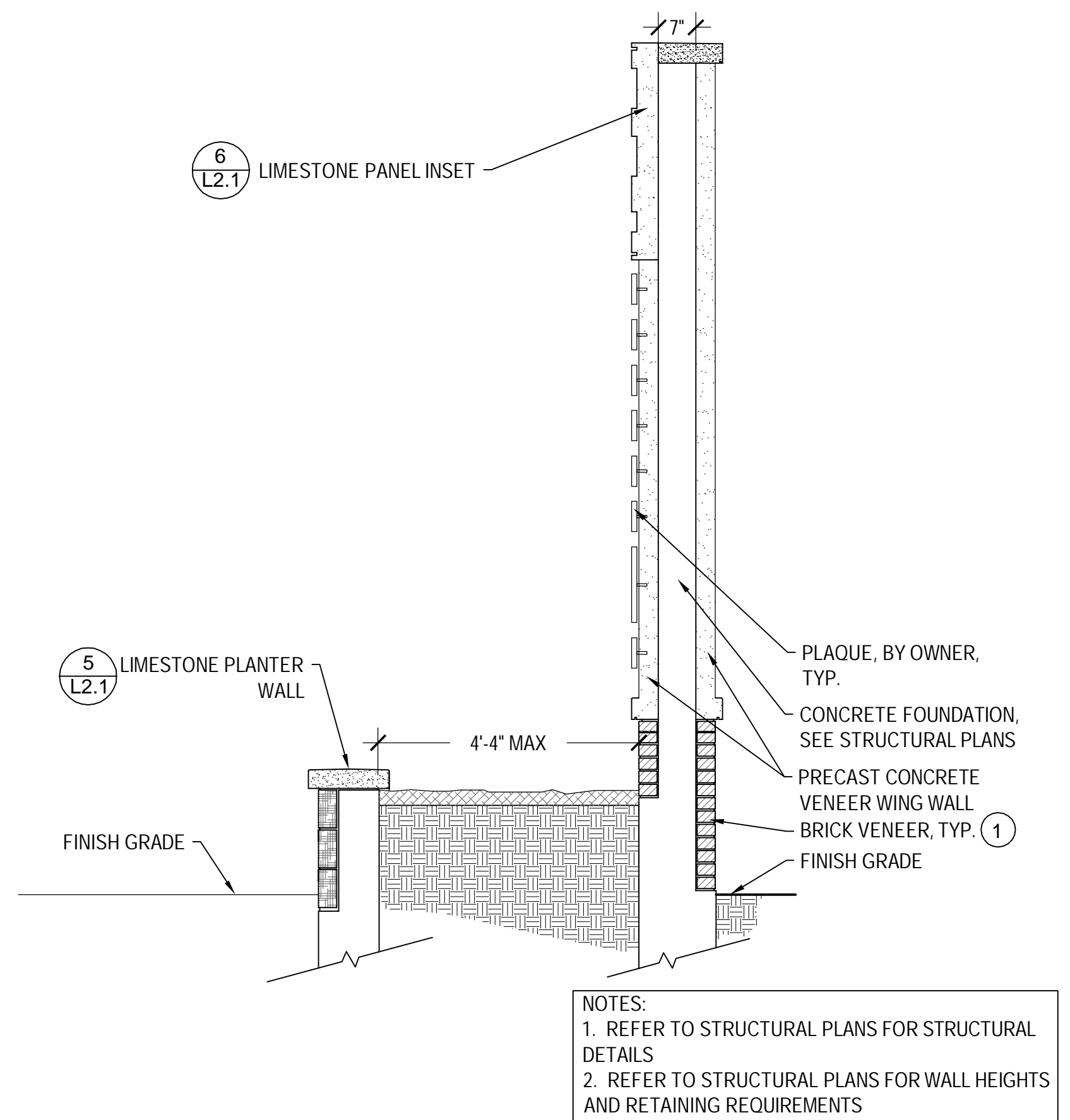
NOTES:
 1. REFER TO STRUCTURAL PLANS FOR STRUCTURAL DETAILS.
 2. COLUMNS TO BE FACED WITH BRICK ON ALL FOUR SIDES.



NOTES:
 1. REFER TO STRUCTURAL PLANS FOR STRUCTURAL DETAILS
 2. REFER TO STRUCTURAL PLANS FOR WALL HEIGHTS AND RETAINING REQUIREMENTS

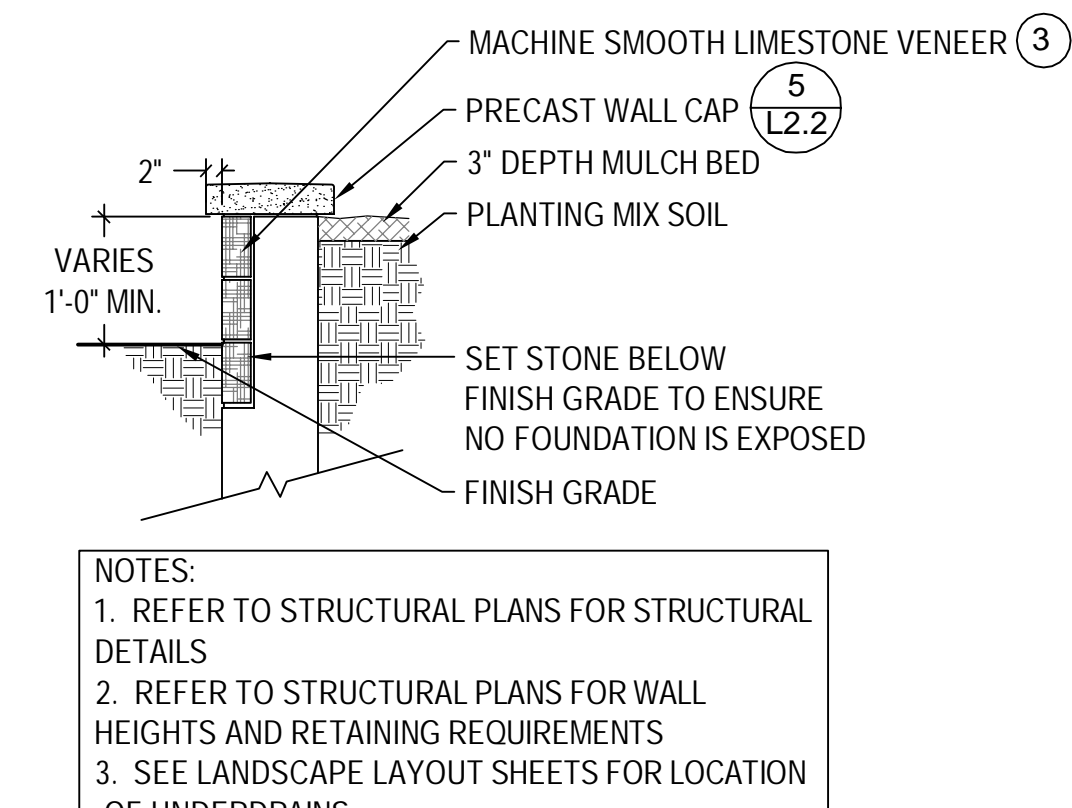
3 WALL - FREESTANDING

SCALE: 1/2" = 1'-0"



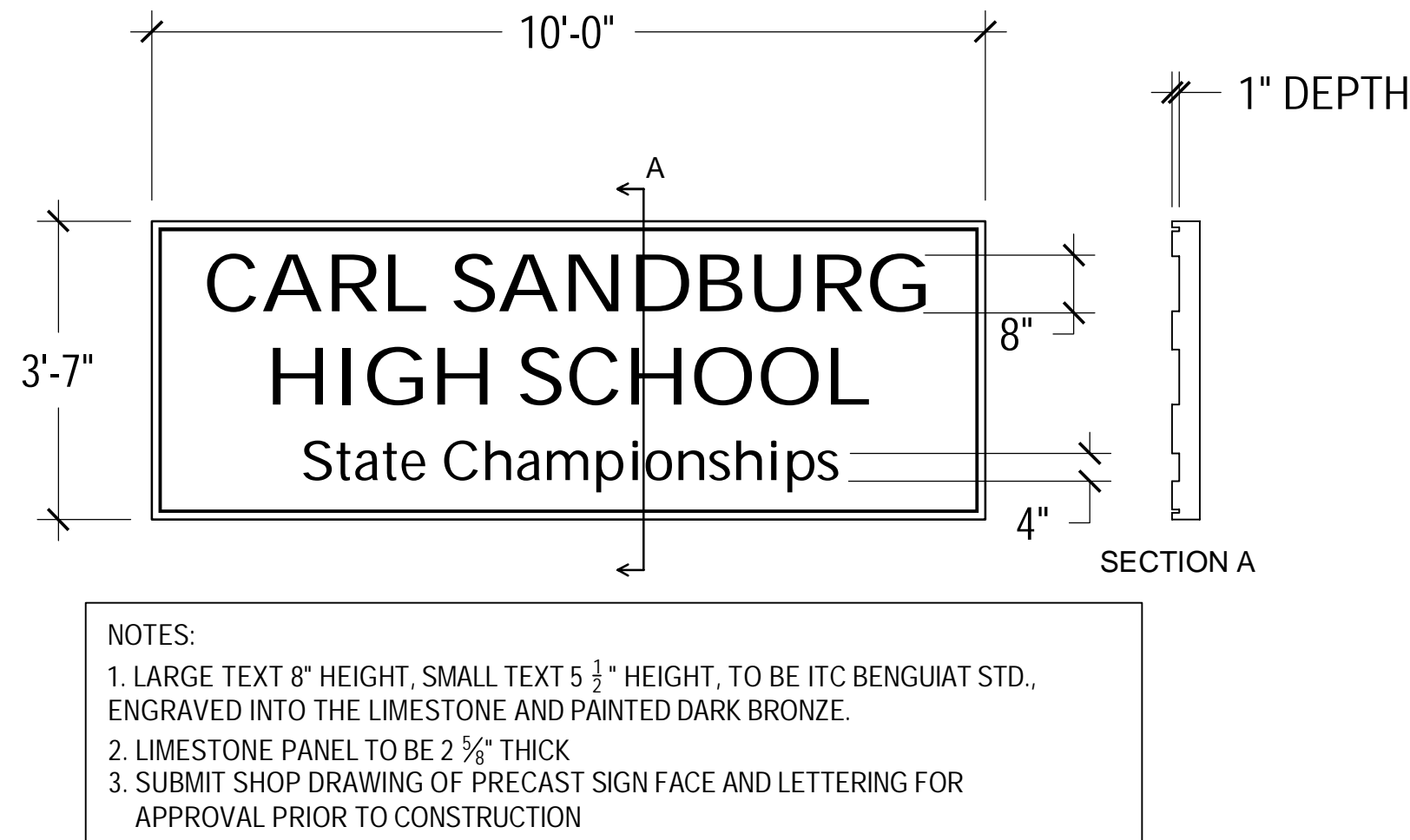
4 PLANTER WITH WALL - FREESTANDING

SCALE: 1/2" = 1'-0"



5 LIMESTONE PLANTER WALL

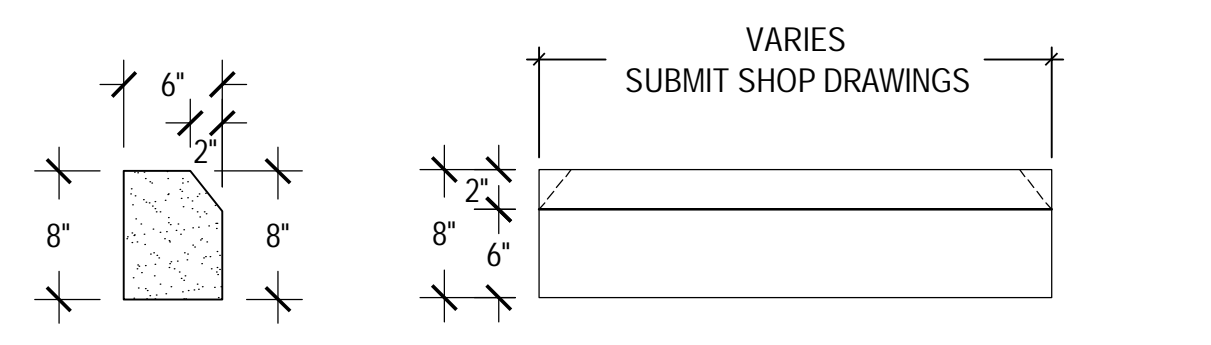
SCALE: 1/2" = 1'-0"



NOTES:
 1. LARGE TEXT 8" HEIGHT, SMALL TEXT 5 1/2" HEIGHT, TO BE ITC BENGUAT STD., ENGRAVED INTO THE LIMESTONE AND PAINTED DARK BRONZE.
 2. LIMESTONE PANEL TO BE 2 3/4" THICK
 3. SUBMIT SHOP DRAWING OF PRECAST SIGN FACE AND LETTERING FOR APPROVAL PRIOR TO CONSTRUCTION

6 LIMESTONE PANEL INSET

SCALE: 1/2" = 1'-0"



7 PRECAST CONCRETE COLUMN BASE

SCALE: 1" = 1'-0"

SIGNAGE
DETAILS

CARL SANDBURG
HIGH SCHOOL

ORIGINAL ISSUE:

KHA PROJECT NO.

SHEET NUMBER

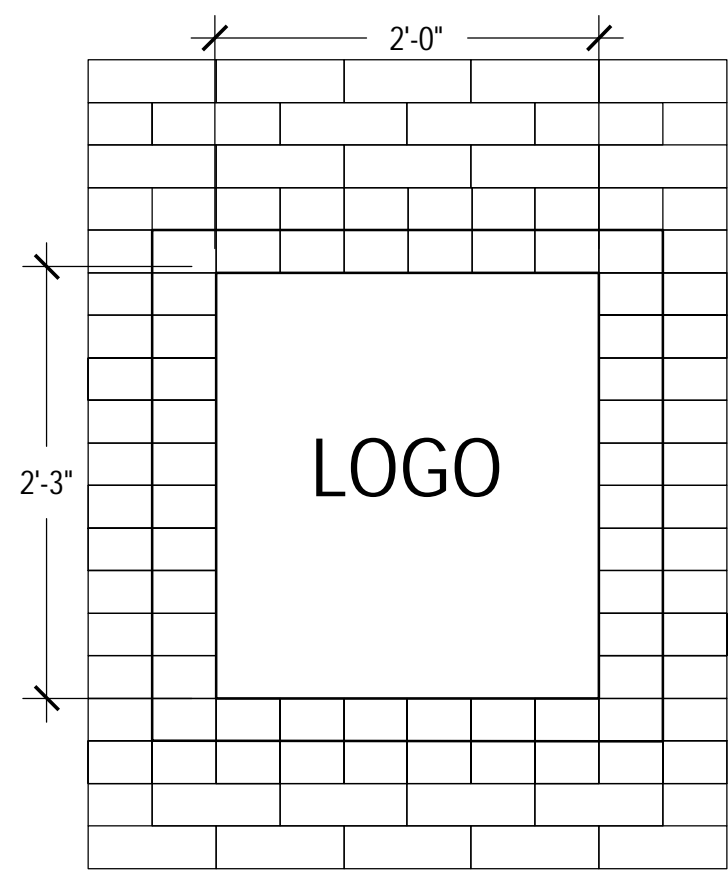
L2.1

NO.	REVISIONS	DATE	BY

Kimley»Horn
 © 2015 KIMLEY-HORN AND ASSOCIATES, INC.
 1001 WARRENVILLE ROAD, SUITE 350,
 WARRENVILLE, IL 60067
 PHONE: 630-487-5550
 WWW.KIMLEY-HORN.COM

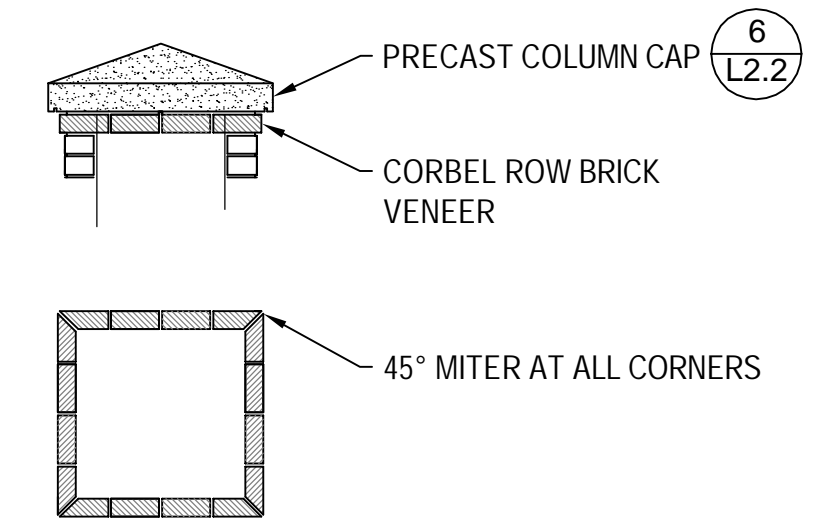
SCALE: AS NOTED
 DESIGNED BY: KED
 DRAWN BY: AMF
 CHECKED BY: KED

Drawing name: K:\GIS\DEV\ND-DEV\LeBron-Road-Front-Hardscape-2015-0823\Drawings\2015_0701_CSIS_Monument\Plan\Landscape\Details.dwg L3.2_SIGNAGE_DETAILS Dec 16, 2015 5:36pm by: amanda.foto
 This document, together with the concepts and designs presented herein, is intended only for the specific purpose and client for which it was prepared. Reuse or improper reliance on this document without written authorization and adaptation by Kimley-Horn and Associates, Inc. shall be without liability to Kimley-Horn and Associates, Inc.

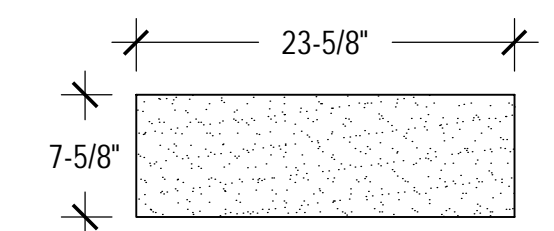


NOTES:
 1. FINAL LOGO TO BE APPROVED BY OWNER
 2. COLORED CONCRETE INSET TO MATCH CAPS
 3. ETCHED/STAMPED LOGO IN CONCRETE
 SUBMIT SHOP DRAWING FOR APPROVAL
 PRIOR TO CONSTRUCTION

1 LIMESTONE INSET WITH LOGO
 SCALE: 1" = 1'-0"

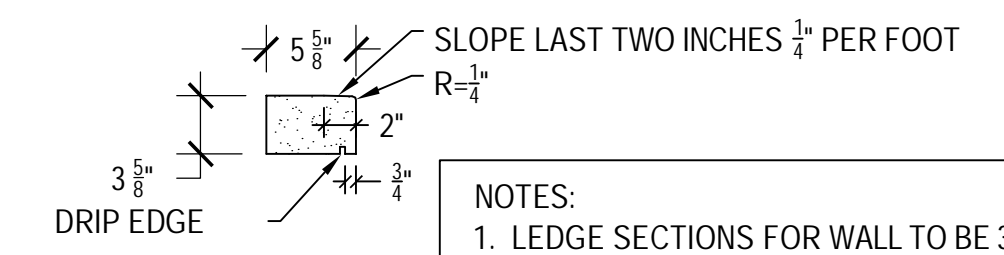


2 CORBEL ROW DETAIL
 SCALE: NTS



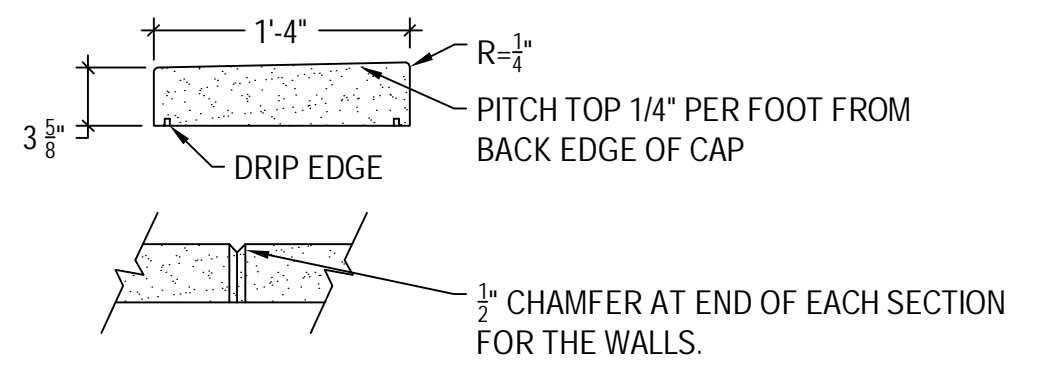
NOTES:
 1. DEPTH OF PRECAST VENEER BLOCK
 SHALL BE THE SAME AS THE BRICK. 3'-5/8"
 2. MITER CORNERS

3 PRECAST CONCRETE VENEER BLOCK
 SCALE: 1" = 1'-0"



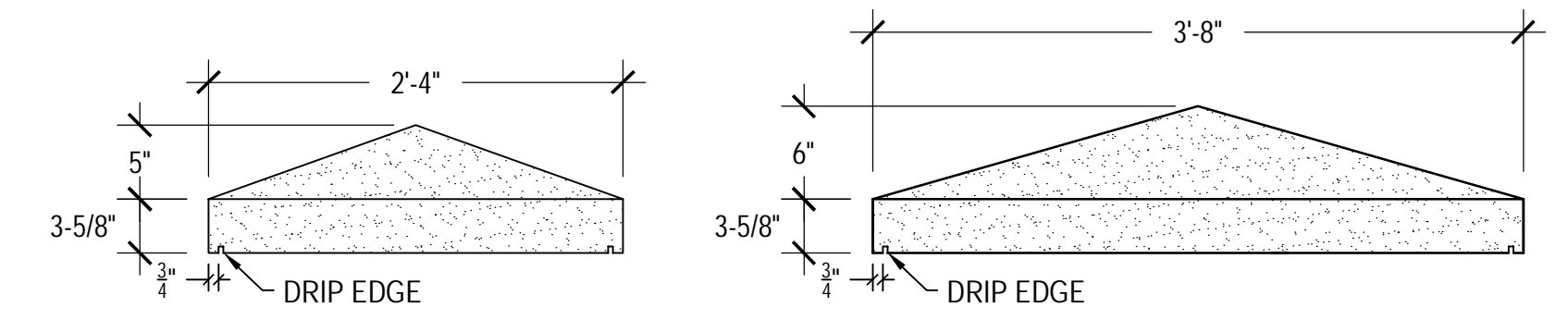
NOTES:
 1. LEDGE SECTIONS FOR WALL TO BE 36" LONG
 2. MITER INSIDE AND OUTSIDE CORNERS

4 PRECAST STANDARD LEDGE
 SCALE: 1" = 1'-0"



NOTES:
 1. CAP SECTIONS TO BE 48" LONG
 2. MITER INSIDE AND OUTSIDE CORNERS

5 PRIMARY MONUMENT PRECAST WALL CAP
 SCALE: 1" = 1'-0"



6 PRECAST COLUMN CAP
 SCALE: 1" = 1'-0"

NO.		REVISIONS		DATE	BY
Kimley»Horn <small>© 2015 KIMLEY-HORN AND ASSOCIATES, INC. 1001 WARRENVILLE ROAD, SUITE 350, WARRENVILLE, OHIO 45166 PHONE: 631-487-5550 WWW.KIMLEY-HORN.COM</small>					
SCALE:	AS NOTED	DESIGNED BY:	KED	DRAWN BY:	AMF
		CHECKED BY:	KED		
SIGNAGE DETAILS			CARL SANDBURG HIGH SCHOOL		
ORIGINAL ISSUE: ###					
KHA PROJECT NO. ###					
SHEET NUMBER L2.2					