

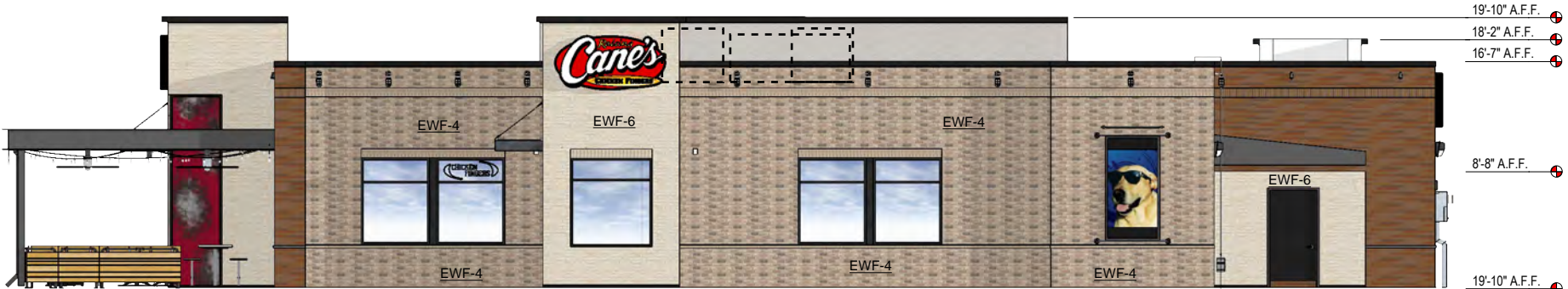
C519 ORLAND PARK P4 V ELEVATIONS - OPTION A



WEST ELEVATION
SCALE: 1" = 12'-0"



NORTH ELEVATION
SCALE: 1" = 12'-0"



SOUTH ELEVATION
SCALE: 1" = 12'-0"

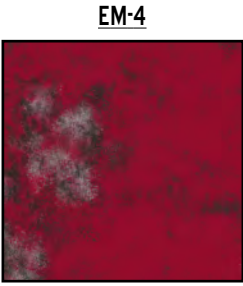


EAST ELEVATION
SCALE: 1" = 12'-0"

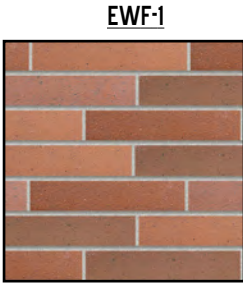
MATERIAL FINISHES



EM-3
CARBON GRADE FINISH: HOT ROLLED STEEL W/ CARBON GRADE FINISH - W/ CLEAR, MATTE POWDER COAT FINISH



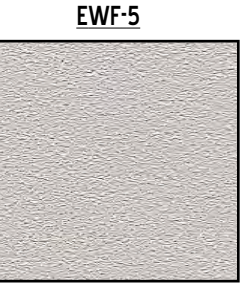
EM-4
RECLAIMED METAL PANEL: VINTAGE CAR HOOD OCCURS AT FACE OF THE "I" ELEMENT ONLY



EWF-1
BELDEN NORMAN BRICK MASONRY MEDIUM RANGE, SMOOTH. IRON SPOT. MORTAR TO MATCH SOLOMON PRODUCTS IO H. WEATHERED HORIZONTAL STRIKE. VERTICAL JOINTS ARE FLUSH



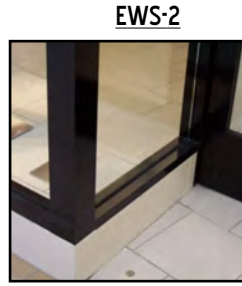
EWF-4
BORL: "ALAMO" MODULAR BRICK. MORTER TO MATCH SOLOMON PRODUCTS IO H. LIGHT BUFF SACK RUB FINISH.



EWF-5
"132 MOUNTAIN FOG" PORTLAND CEMENT EIFS

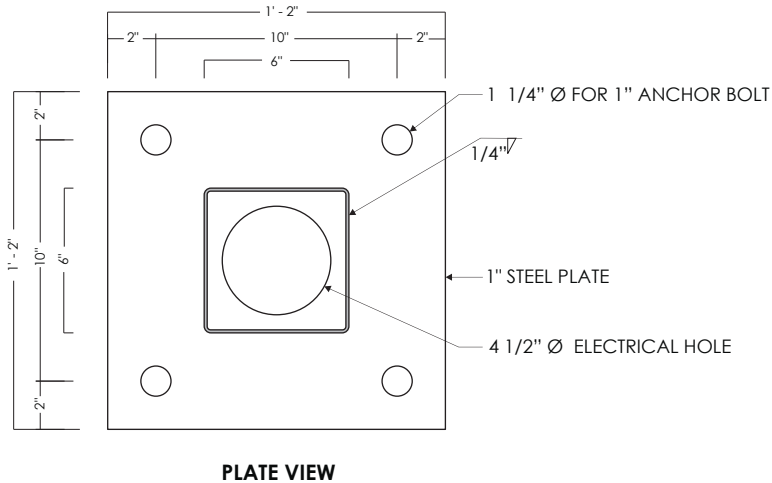
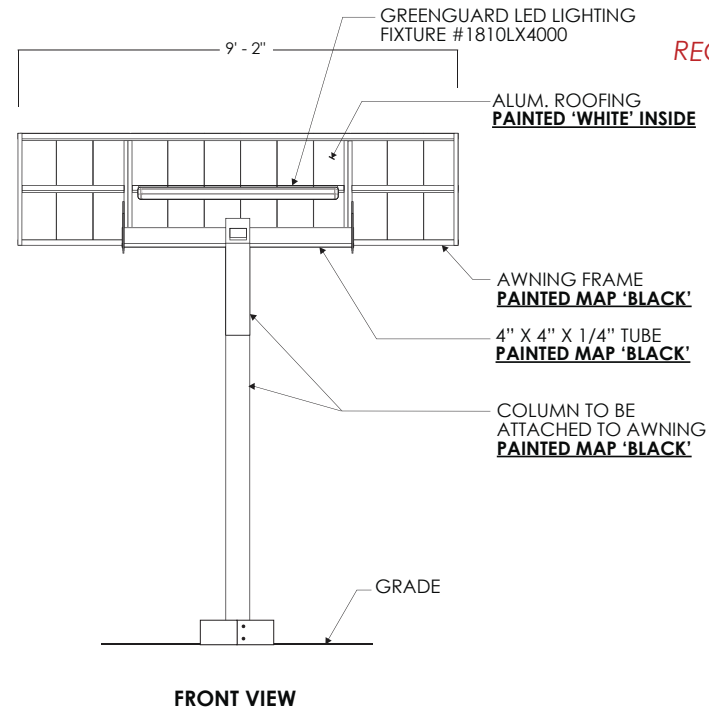
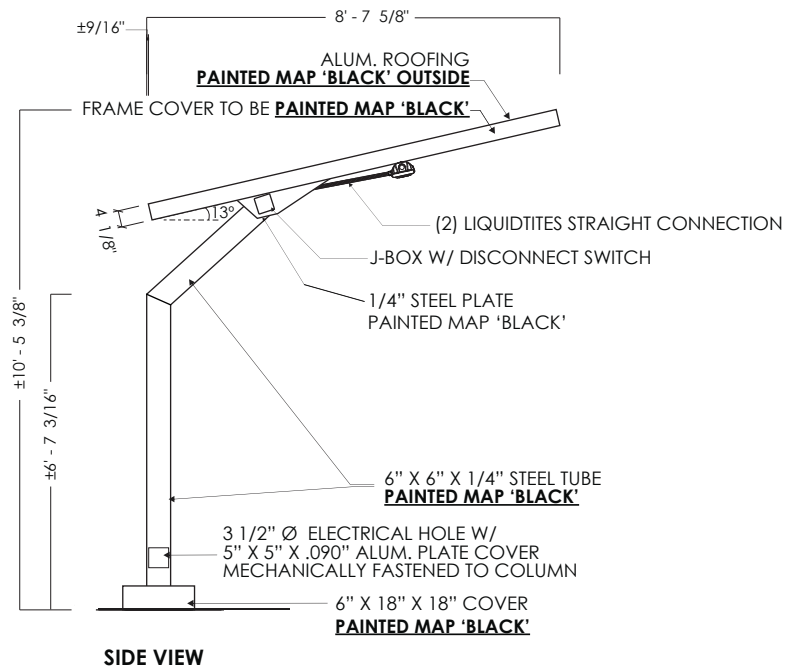


EWF-6
ACME: "ALPINE" BRICK. MORTAR TO MATCH ARGOS: IVORY BUFF, CONCAVE KEY FINISH



EWS-2
ALUMINUM STOREFRONT SYSTEM FINISH: ANODIZED BLACK

CUTSHEET
Drive Thru Awning
NTE 1 PER LANE
REGULATED BY BUILDING CODE



SEE ATTACHED ENGINEERING

ELECTRICAL DATA	
VOLTAGE	120
AMPERAGE	0.5



Location: Orland Park, IL

Site ID: RC0519

Date: 11/11/2019

AGI Rep: G.W.

AGI PM: Anthony Molina

Drawn by: M. Folden

This document is the sole property of AGI, and all design, manufacturing, reproduction, use and sale rights regarding the same are expressly forbidden. It is submitted under a confidential relationship, for a special purpose, and the recipient, by accepting this document assumes custody and agrees that this document will not be copied or reproduced in whole or in part, nor its contents revealed in any manner or to any person except for the purpose for which it was tendered, nor any special features peculiar to this design be incorporated in other projects.

