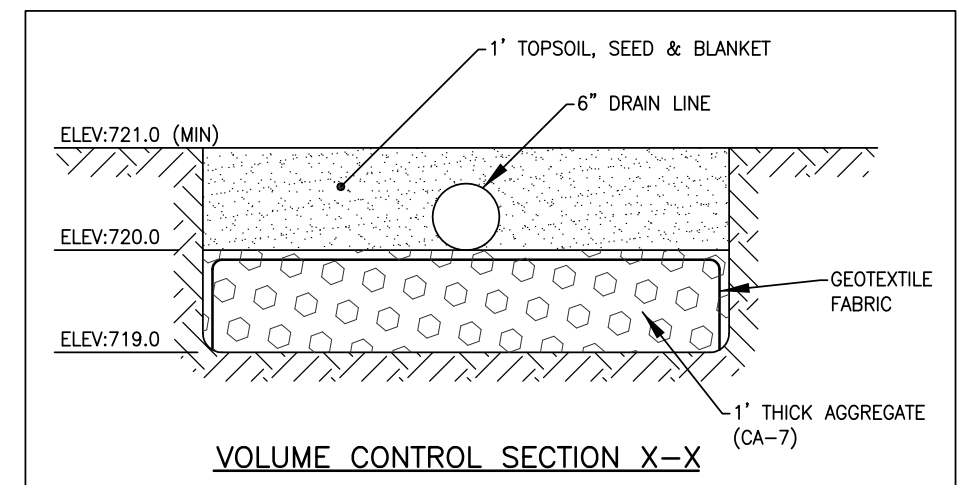


FF - FINISHED FLOOR
TF - TOP OF FOUNDATION

STORMWATER DATA

VILLAGE REQUIRED VOLUME CONTROL	
NEW IMPERVIOUS AREA - 5794 SF	REQUIRED VOLUME CONTROL (5794 x 0.083) - 479 CF
PROPOSED VOLUME CONTROL	
(40' x 40' x 1' x 0.36) - 576 CF	



REV. BY	REVISIONS
T.G. <td>ISSUED FOR REVIEW</td>	ISSUED FOR REVIEW
T.G. <td>VILLAGE COMMENTS</td>	VILLAGE COMMENTS

DATE	DATE
10/18/18	1/14/19

LANDMARK
ENGINEERING LLC
DESIGN FIRM REGISTRATION NO. 184-005577
7808 WEST 103RD STREET
PALOS HILLS, ILLINOIS 60465-1629
Phone: (708) 599-5737
Fax: (708) 599-2281

ASHBURN BAPTIST CHURCH
15401 WOLF ROAD, ORLAND PARK, IL
PRELIMINARY ENGINEERING PLAN

DRAWN BY: T.G.
DESIGNED BY: B.H.
CHECKED BY: M.L.

SHEET
C2.0
18-10-031

