



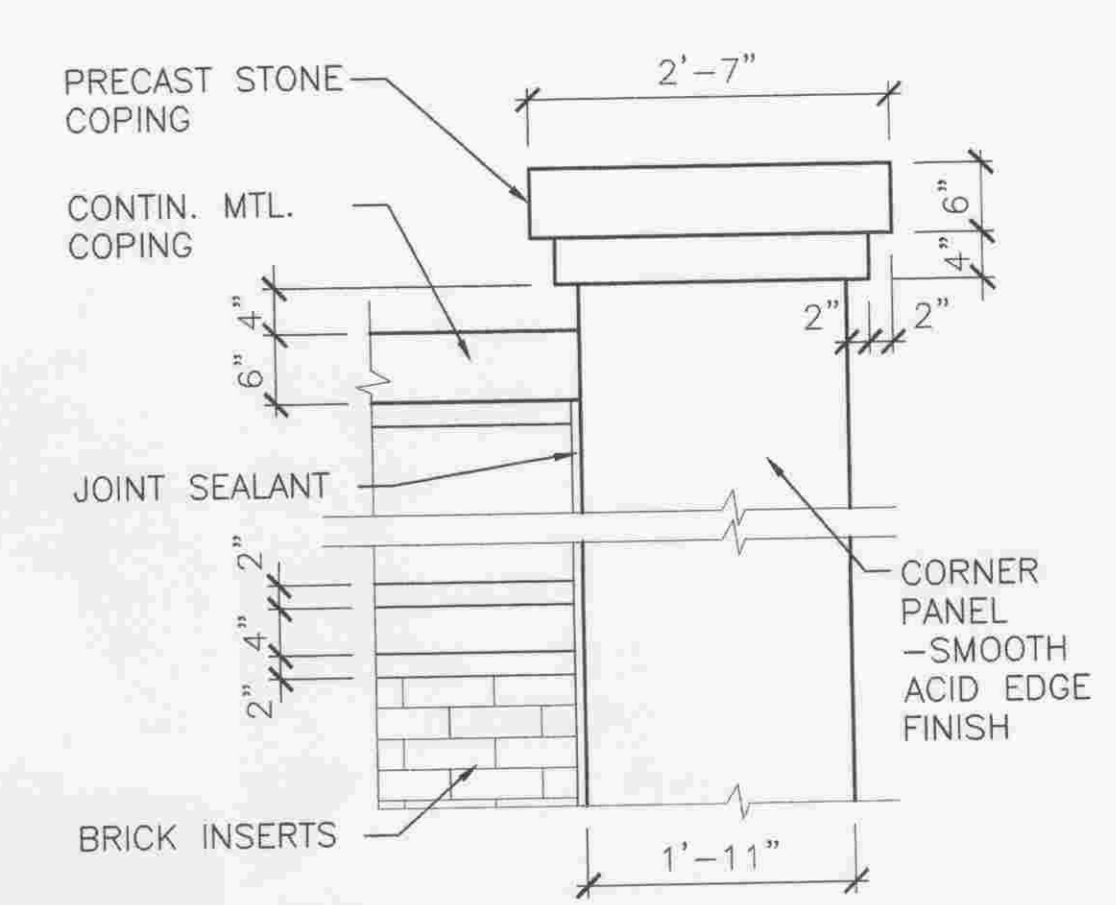
ORLAND FIRE PROTECTION DISTRICT
 9788 West 151st Street
 Orland Park, IL 60462

**ORLAND FIRE PROTECTION DISTRICT
 NEW TRAINING FACILITY**
 10730 163rd Place
 Orland Park, IL 60467

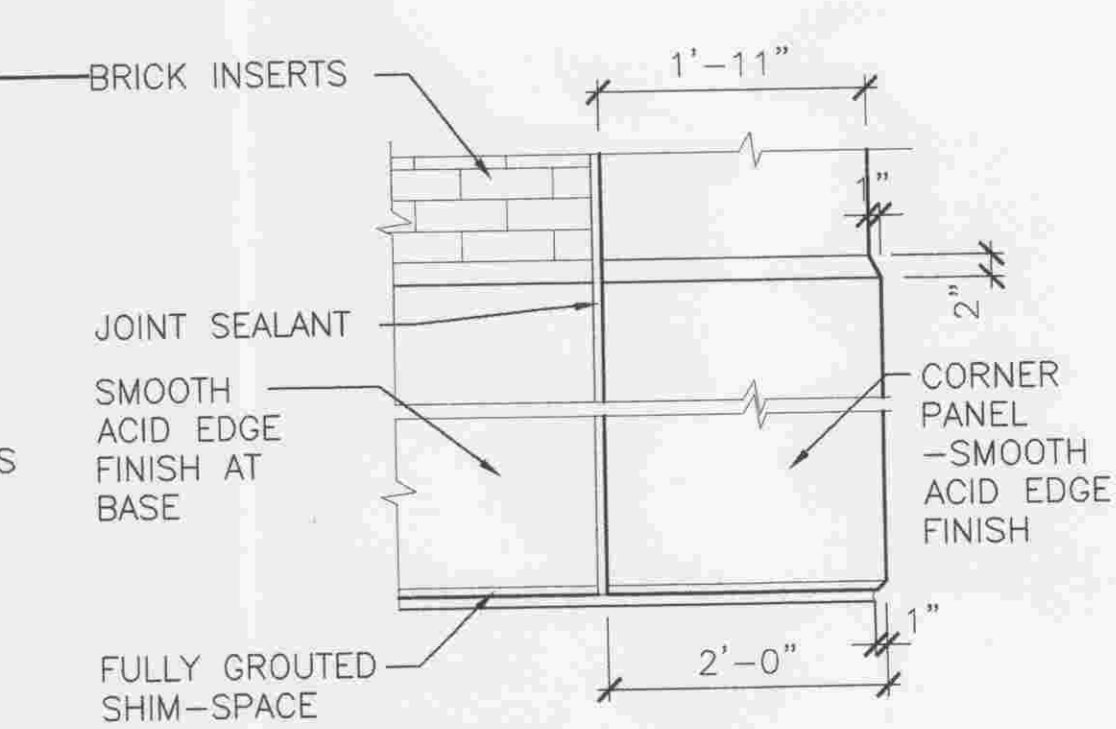
McDonough Associates Inc.
 130 East Randolph Street - Suite 1000
 Chicago, Illinois 60601



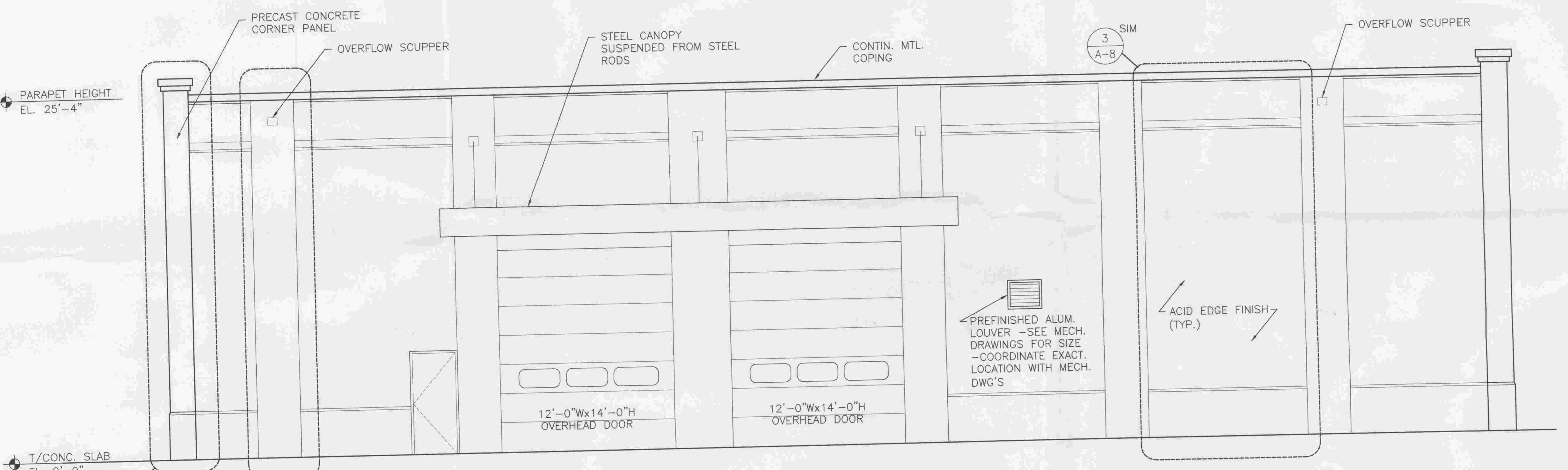
1 SOUTH ELEVATION
 SCALE: 1/4"=1'-0"



3 ENLARGED ELEVATION
 SCALE: 3/4"=1'-0"

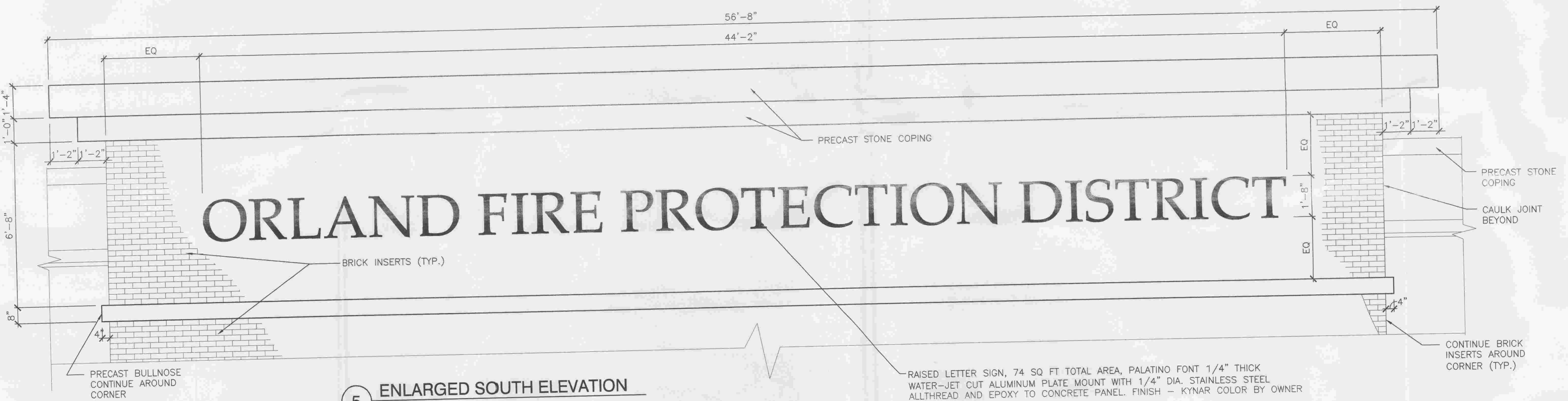


4 ENLARGED ELEVATION
 SCALE: 3/4"=1'-0"



2 NORTH ELEVATION
 SCALE: 1/4"=1'-0"

- NOTES:**
1. REAR ELEVATION MATERIALS SHALL BE ACID ETCHED PRE-CAST MASONRY PANELS TO SIMULATE THE APPEARANCE OF LIMESTONE.
 2. ROOFTOP MECHANICAL EQUIPMENT SHALL BE SCREENED BY PARAPET WALLS.



5 ENLARGED SOUTH ELEVATION
 SCALE: 1/2"=1'-0"

REVISION LOG

REV.	DATE	DESCRIPTION
1	08/22/08	ISSUED FOR BID
2	11/19/08	PER PRELIMINARY PLAN REVIEW
3	12/05/08	PER FINAL PLAN REVIEW

SHEET
 ARCHITECTURAL
EXTERIOR ELEVATIONS

FLOOR	---	STAMP:
SCALE:	AS NOTED	
DATE:	09/22/08	
DRAWN BY	FTH	SHEET NUMBER
CHECKED BY	FTH	A-5