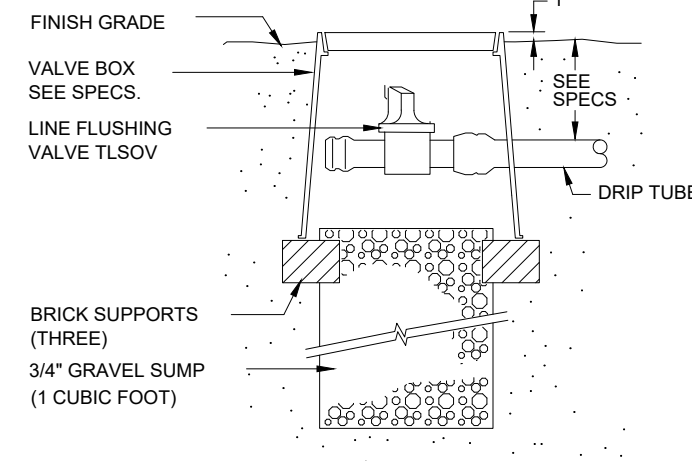


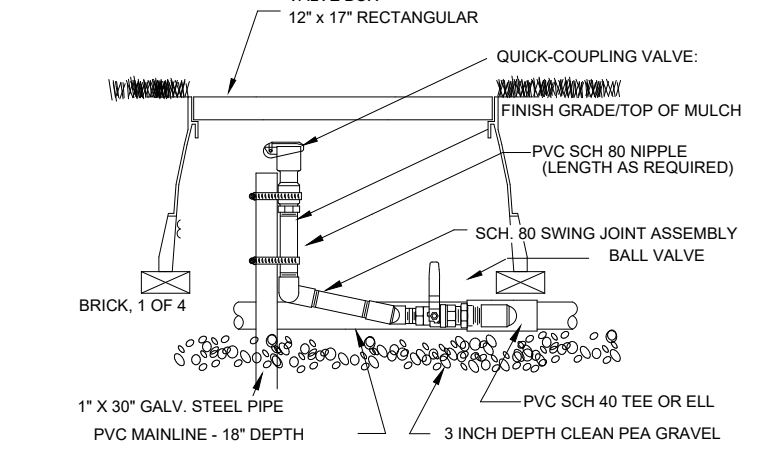
CONTROL ZONE KIT

N.T.S.



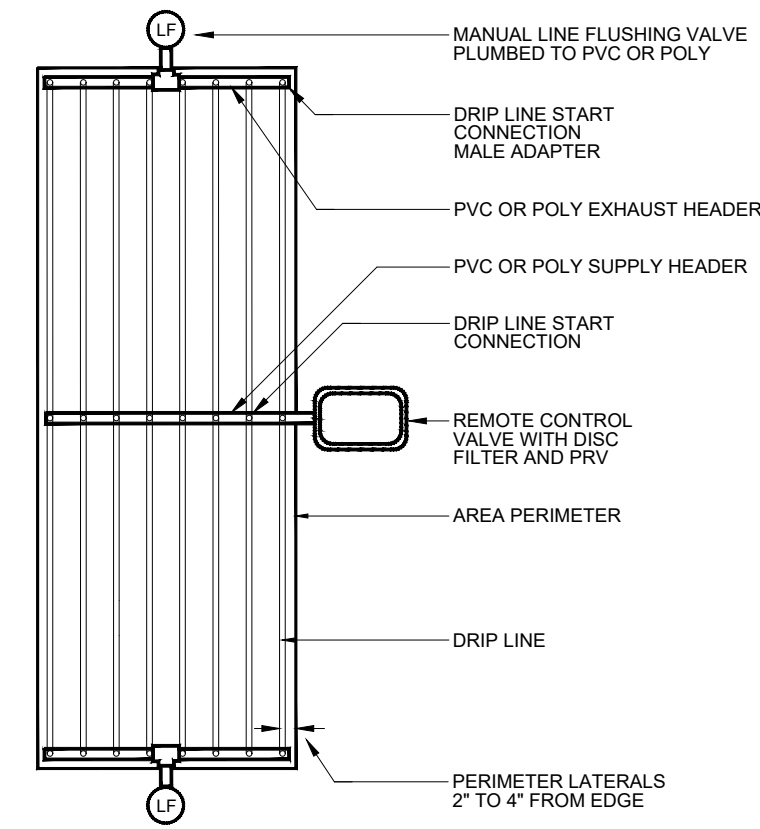
MANUAL LINE FLUSH VALVE

N.T.S.



QUICK COUPLER VALVE WITH PVC BALL VALVE

N.T.S.



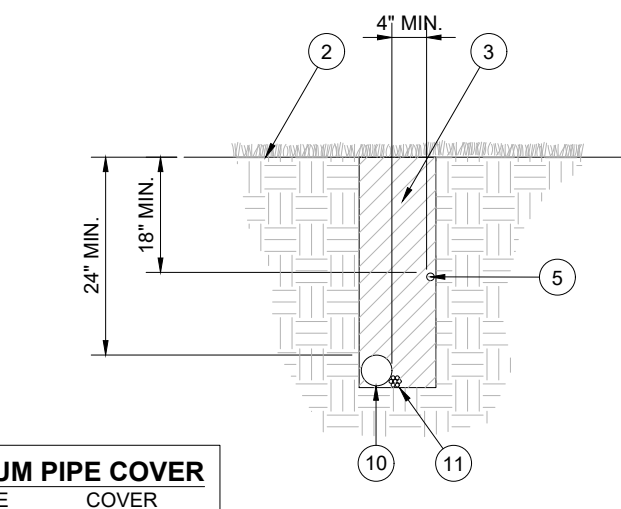
DRIP CENTER FEED LAYOUT

N.T.S.

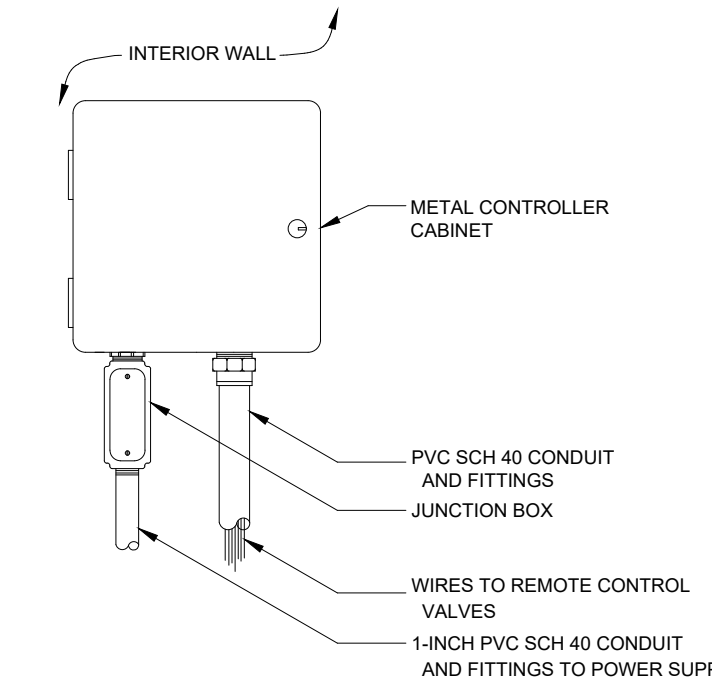
MINIMUM PIPE COVER

PIPE SIZE	COVER
1/2" TO 2-1/2"	18" MIN.
3" TO 5"	24" MIN.
6" AND LARGER	30" MIN.

TRENCHING

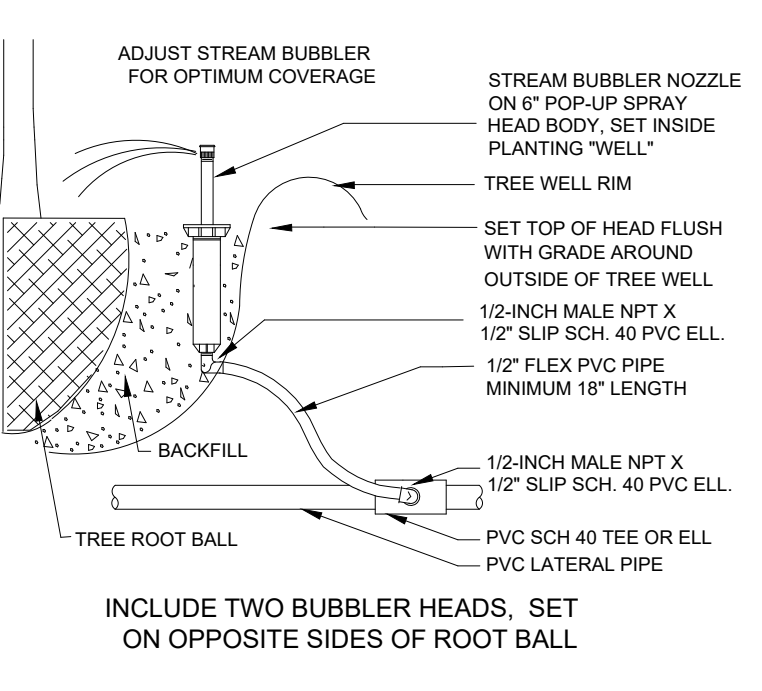


- PAVEMENT SURFACE
- FINISH GRADE
- TRENCH BACKFILL
- LOCATOR WIRE WBURIED CAUTION TAPE
- PVC IRRIGATION LATERAL
- SAND BACKFILL
- SCH. 40 PVC LATERAL SLEEVE - SEE PLANS FOR SIZE
- SCH. 40 PVC WIRE SLEEVE FOR CONTROL WIRES, MIN. 2" DIA.
- SCH. 40 PVC MAINLINE SLEEVE - SEE PLANS FOR SIZE
- PVC IRRIGATION MAINLINE
- CONTROL WIRES - TAPE TO MAINLINE AT 10' INTERVALS
- PVC CAP, SOLVENT WELDED



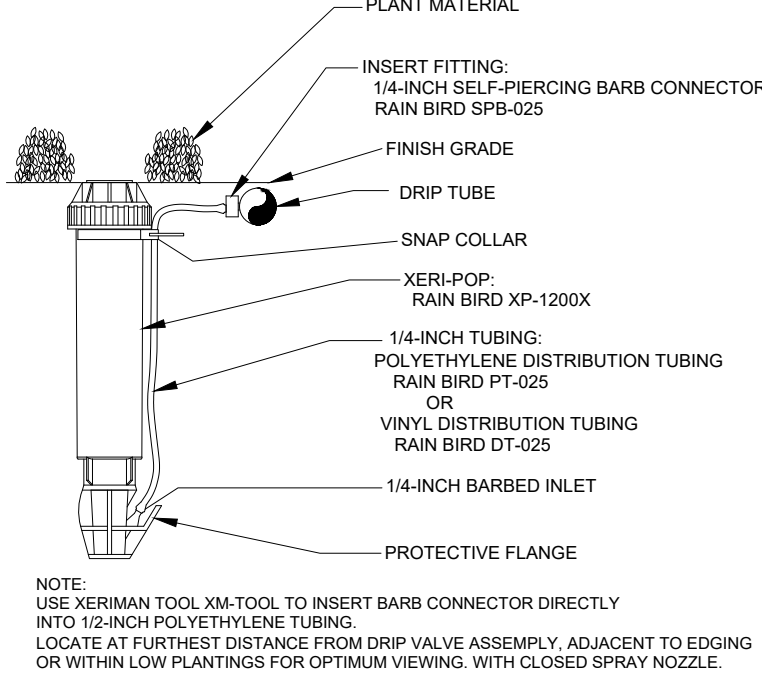
WALL MOUNT CONTROLLER

N.T.S.



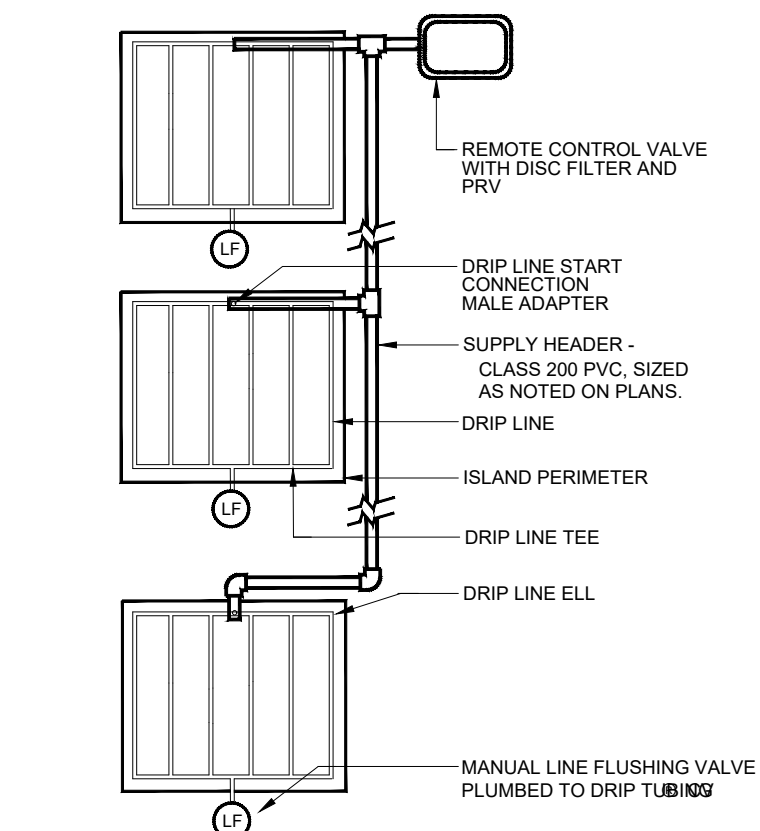
TREE BUBBLER

N.T.S.



DRIP ZONE INDICATOR

N.T.S.

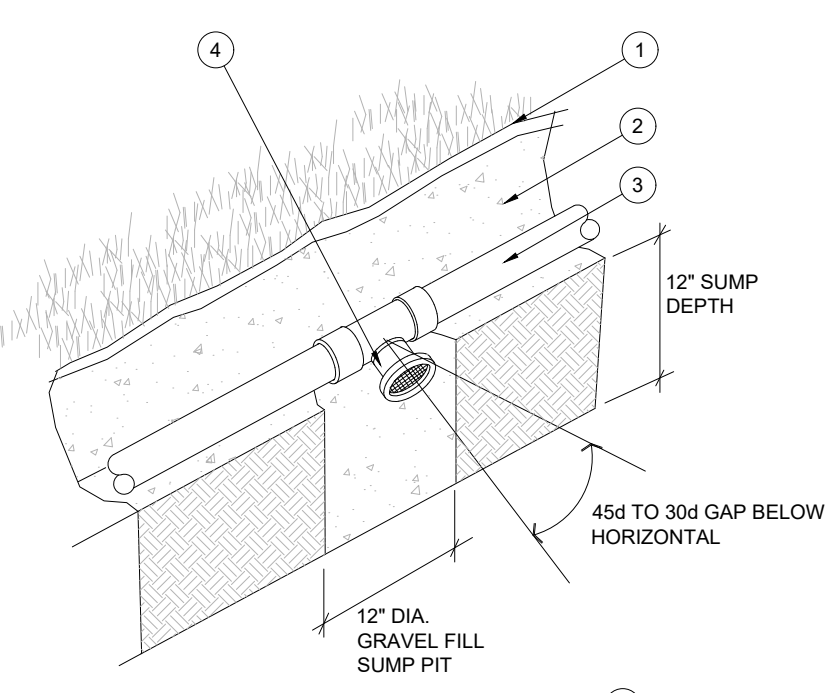


DRIP ISLAND LAYOUT

N.T.S.

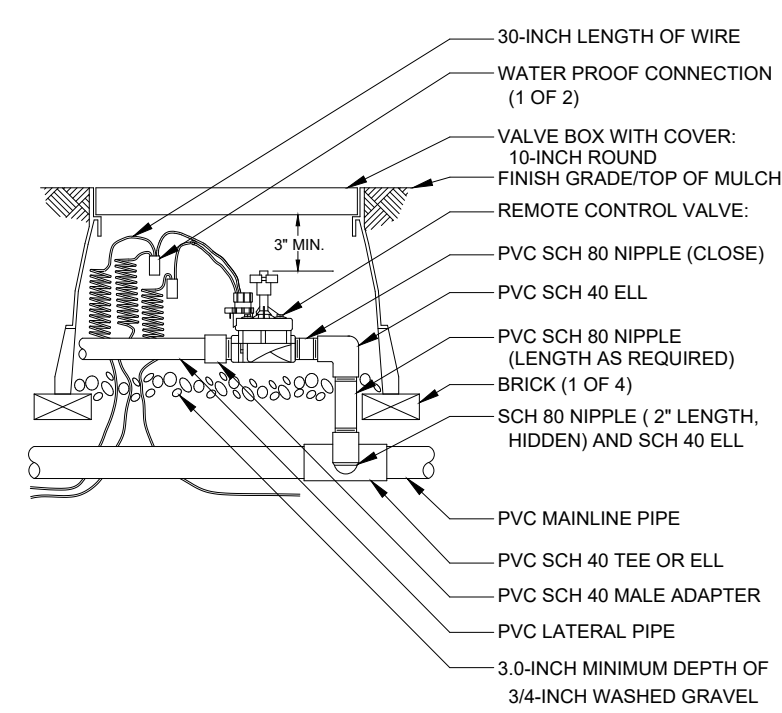
PIPE AND SLEEVE INSTALLATION

N.T.S.



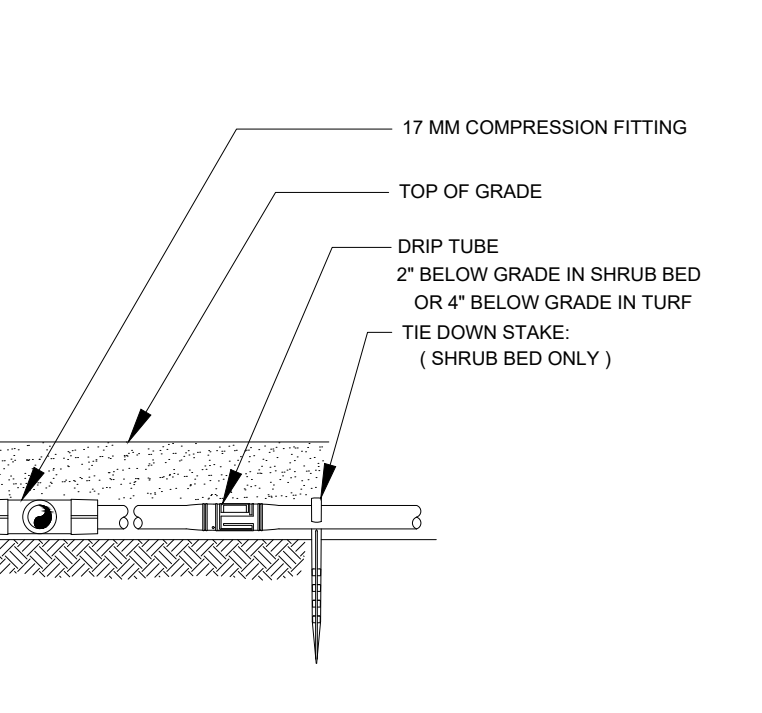
RAIN SENSOR, ROOF MOUNT

N.T.S.



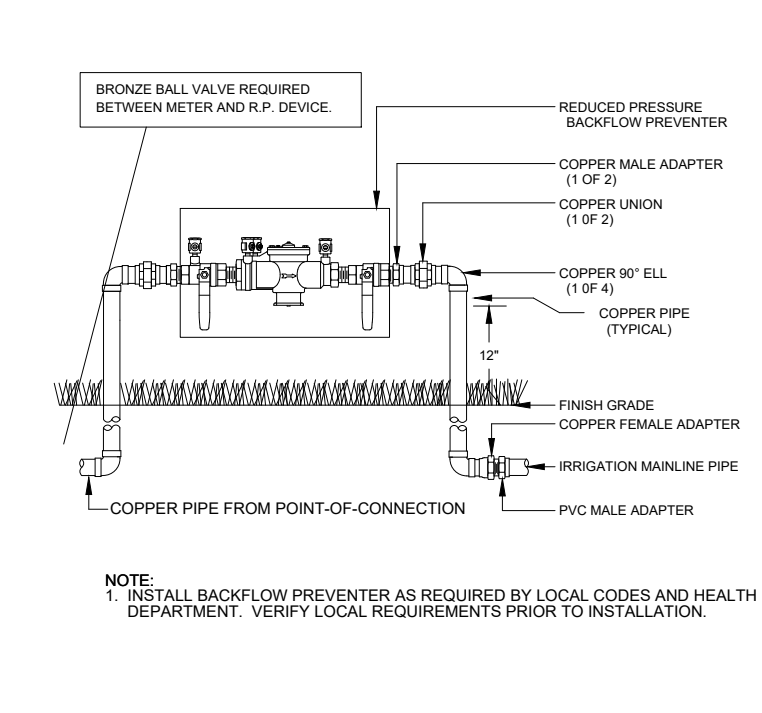
REMOTE CONTROL VALVE

N.T.S.



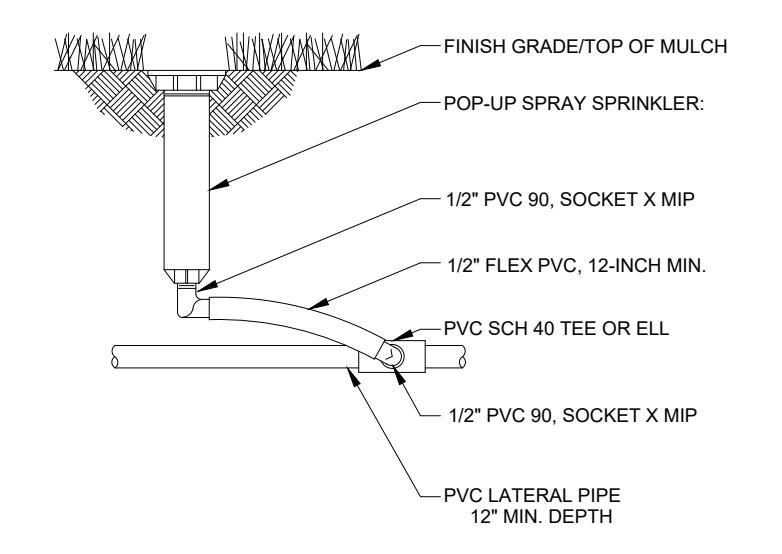
DRIP TUBE

N.T.S.



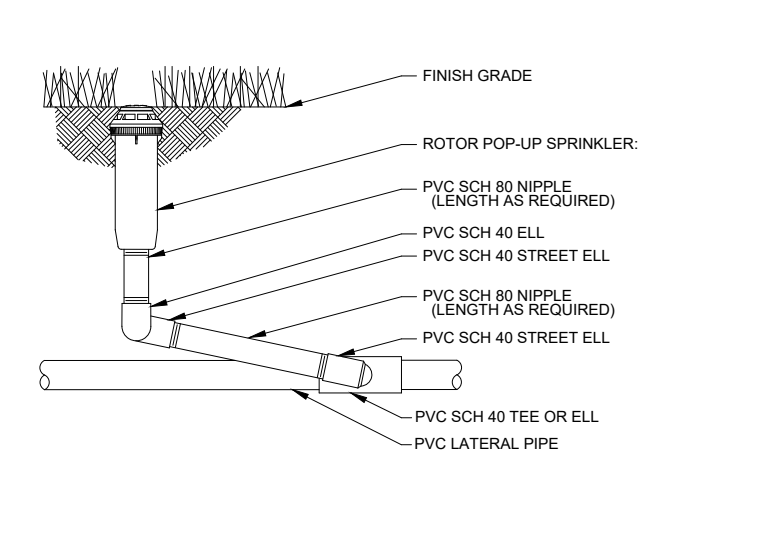
RP DEVICE

N.T.S.



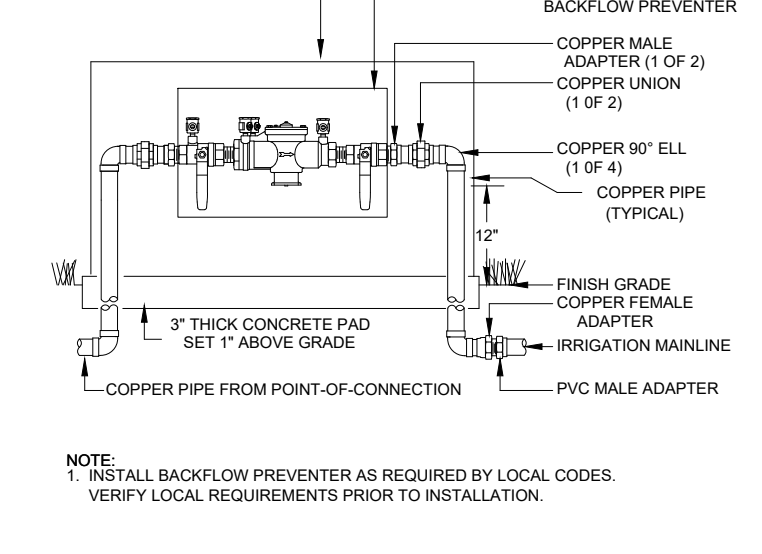
POP-UP SPRAY HEAD

N.T.S.



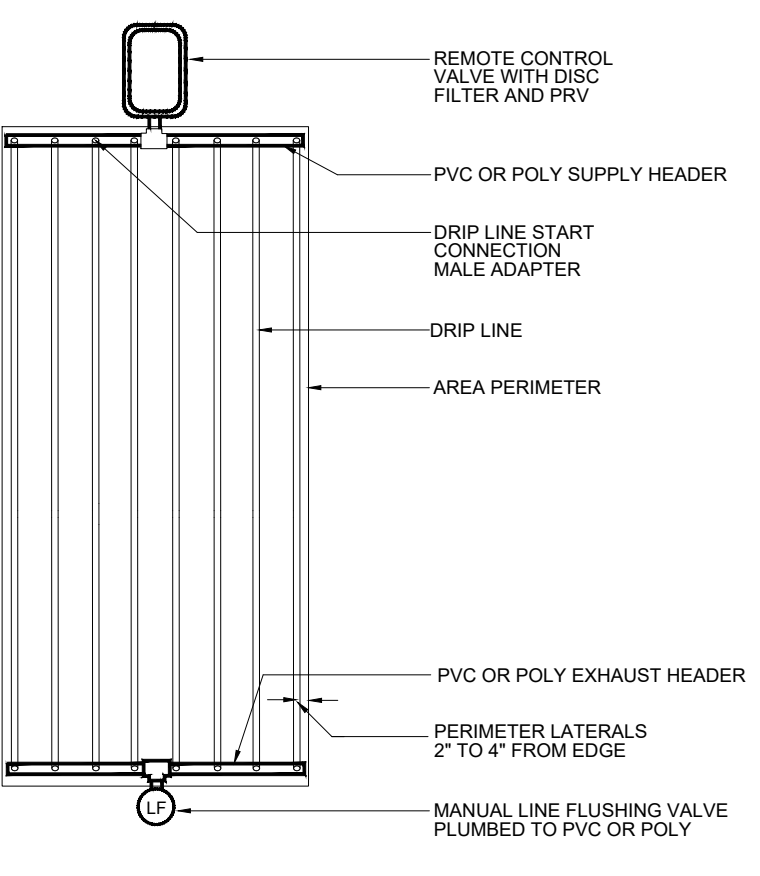
ROTOR POP-UP SPRINKLER

N.T.S.



RP DEVICE WITH INSULATED COVER

N.T.S.

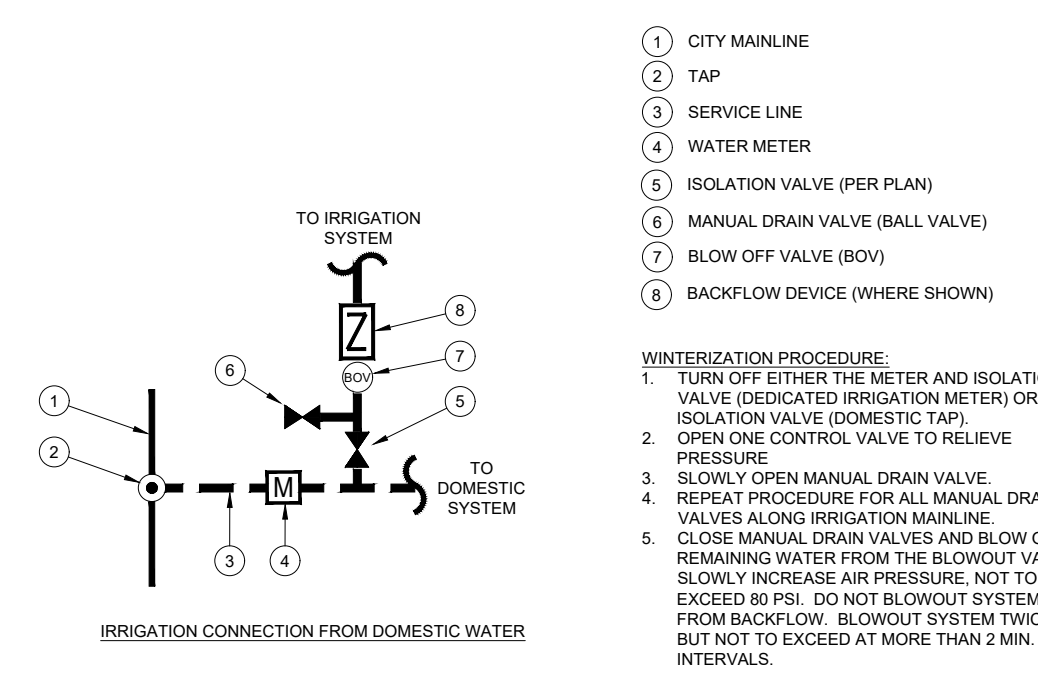


DRIP END FEED LAYOUT

N.T.S.

AUTOMATIC DRAIN VALVE

N.T.S.



WATER TAP DIAGRAM

N.T.S.

2200 CABOT DRIVE
 SUITE 325
 LISLE, IL 60532
 P. 630.598.0007
 WWW.CAGECIVIL.COM



REVISIONS

05/16/2024	REVISIONS
07/02/2024	CITY COMMENT RESPONSE
	CITY COMMENT RESPONSE

THIS DESIGN AND THESE DRAWINGS ARE THE PROPERTY OF CAGE ENGINEERING, INC. NO PART OF THIS DESIGN MAY BE REPRODUCED WITHOUT PRIOR WRITTEN PERMISSION FROM CAGE ENGINEERING, INC.

PORTILLO'S HOT DOGS
PORTILLO'S - ORLAND PARK
 20 ORLAND SQUARE DR.
 ORLAND PARK, IL 60462

PROJ NO: 230210
 ENG : EMS
 DATE : 02/02/2024

SHEET TITLE

IRRIGATION DETAILS

SHEET NUMBER
LI-2
 OF TNS

