

UNIT MEASUREMENTS

- Custom Widths up to 20'
- Custom Heights up to 12'

FABRIC CHOICES

- Screens Fabrics
- Black Out Fabrics
- Clear Vinyl
- Sunbrella Fabrics



MANUAL

Gear



5.5" Extruded Aluminum Box



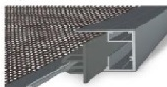
Hand Brace



48" | 60" | 72" | 84" | 96"

Fabric Retention Track (FRT)

see page 4



HARDWARE COLORS

WHITE



DESERT SAND



BROWN



BOX COLORS



WHITE



IVORY



LT. BEIGE



DK. BEIGE



SAND



BRONZE



GREY



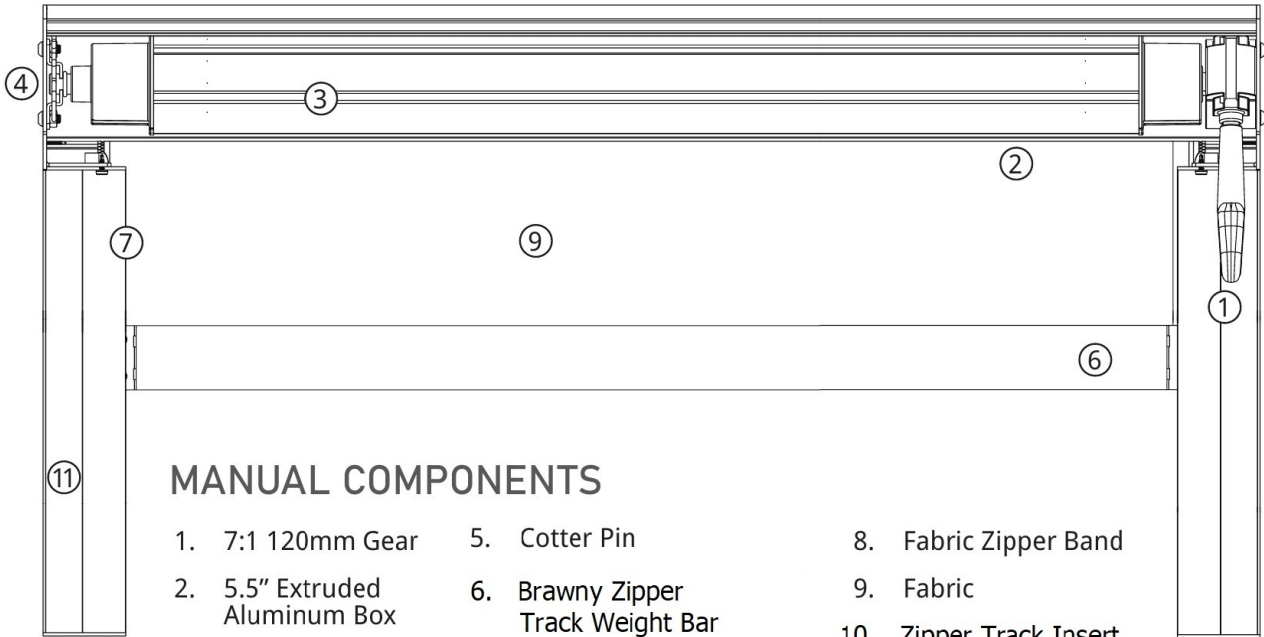
BLACK

Motorized



UPGRADE *Options*

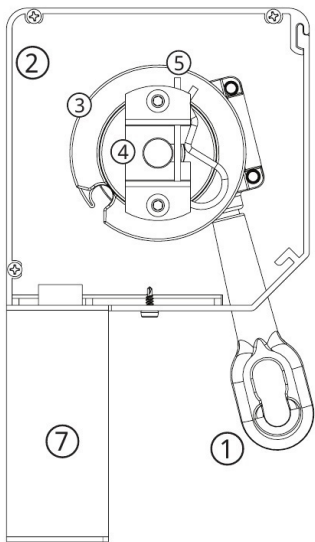
FRONT VIEW



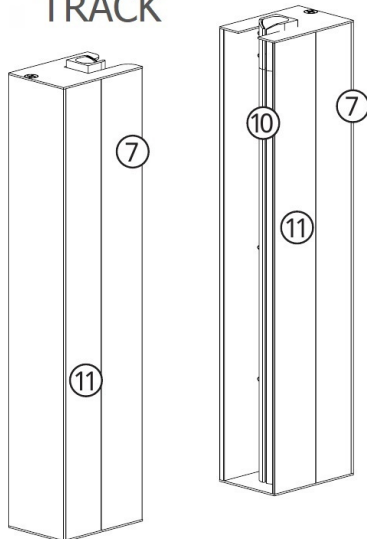
MANUAL COMPONENTS

- | | | |
|-------------------------------|-----------------------------------|-------------------------|
| 1. 7:1 120mm Gear | 5. Cotter Pin | 8. Fabric Zipper Band |
| 2. 5.5" Extruded Aluminum Box | 6. Brawny Zipper Track Weight Bar | 9. Fabric |
| 3. 80mm Fabric Tube | 7. Brawny Zipper Track | 10. Zipper Track Insert |
| 4. Cotter Pin Idler | | 11. Snap Cover |

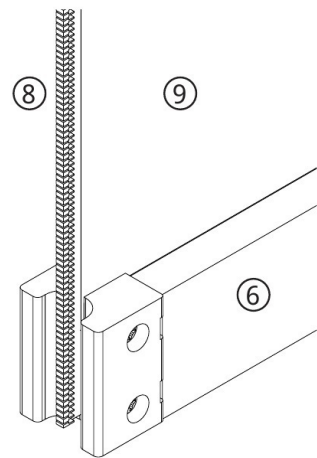
SIDE VIEW



BRAWNY ZIPPER TRACK

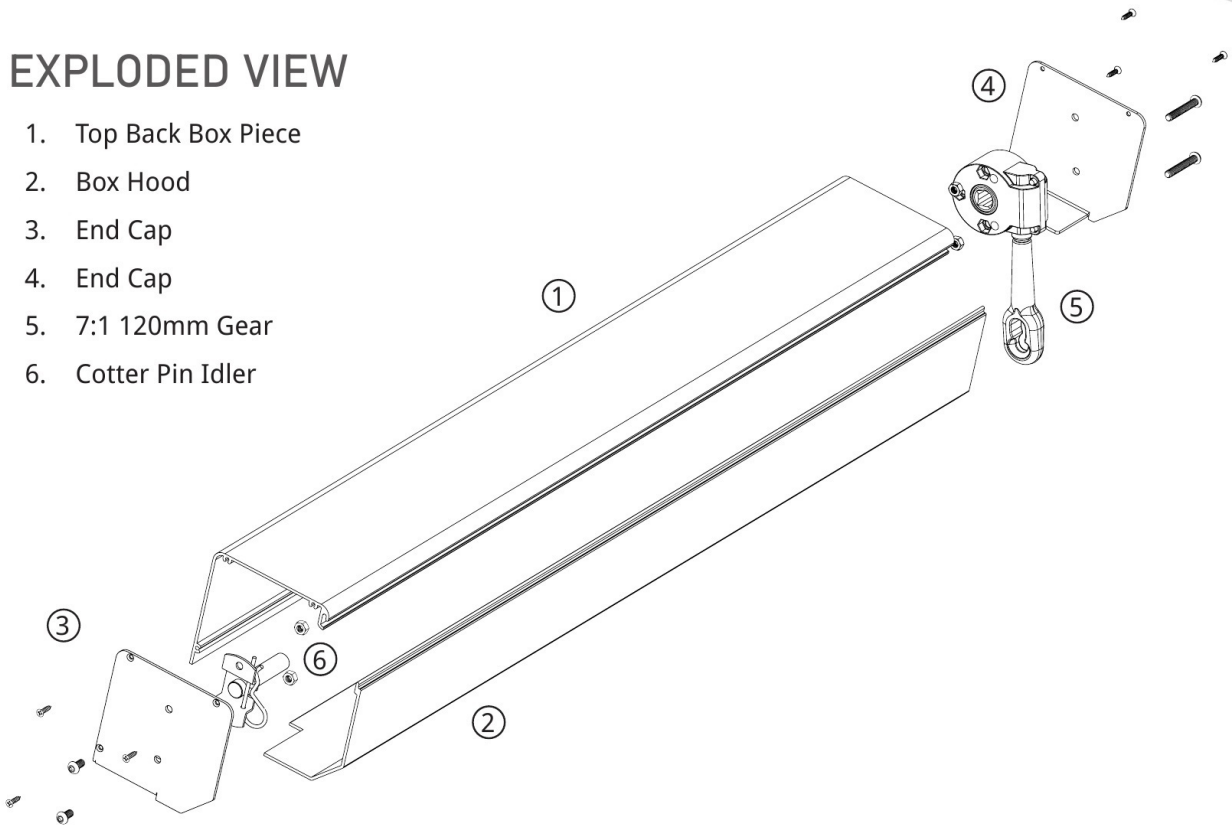


BRAWNY ZIPPER TRACK WEIGHT BAR



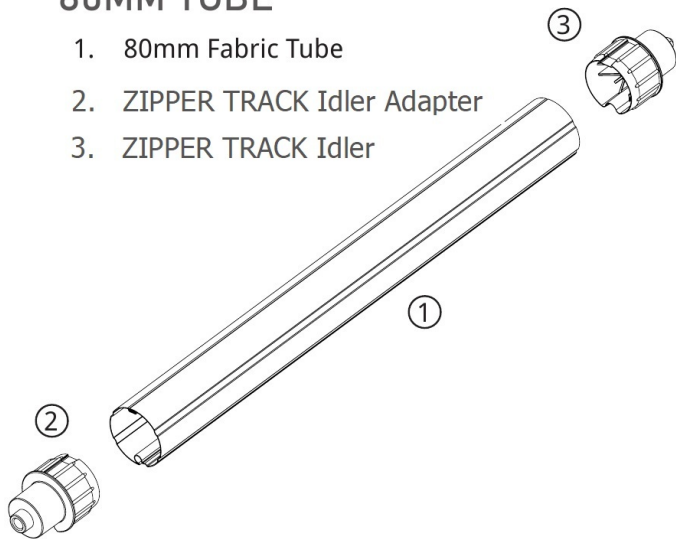
EXPLODED VIEW

1. Top Back Box Piece
2. Box Hood
3. End Cap
4. End Cap
5. 7:1 120mm Gear
6. Cotter Pin Idler



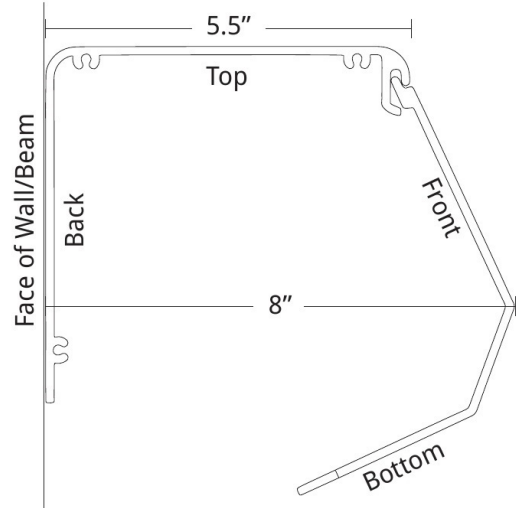
EXPLODED VIEW 80MM TUBE

1. 80mm Fabric Tube
2. ZIPPER TRACK Idler Adapter
3. ZIPPER TRACK Idler

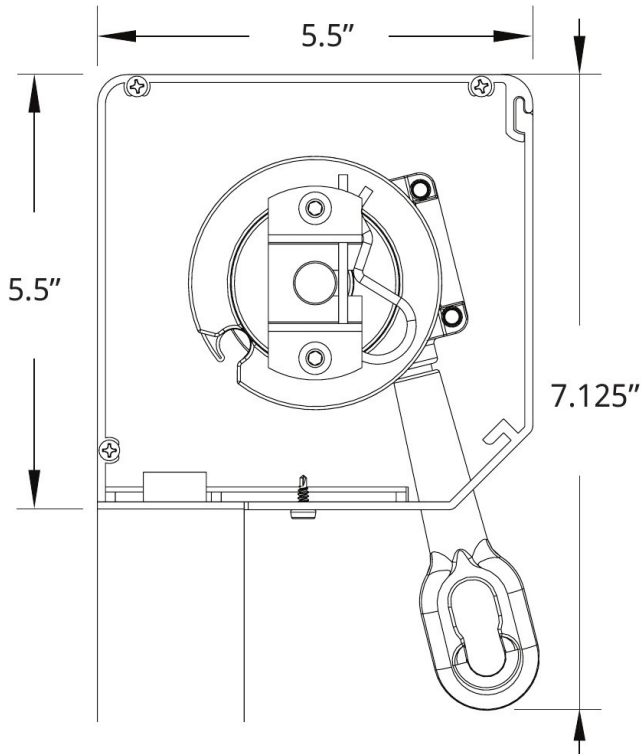


HOOD CLEARANCE

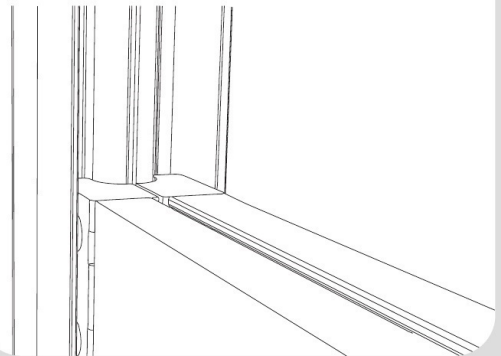
A minimum of 8" from face of wall/
beam required for hood clearance



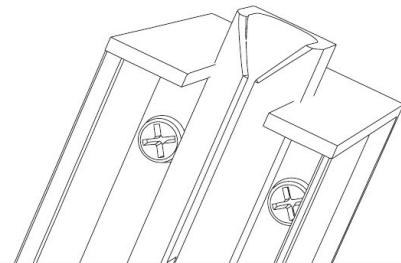
5.5" EXTRUDED ALUMINUM BOX



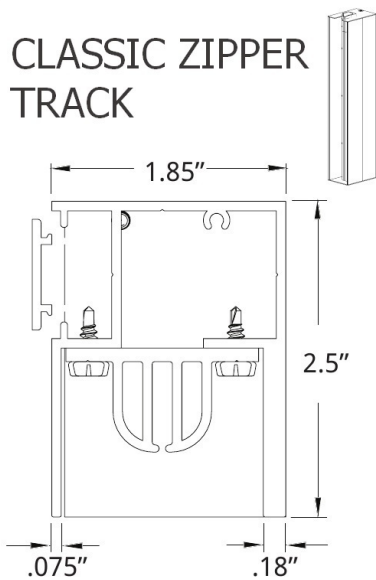
INTEGRATED WEIGHT BAR & TRACK SYSTEM



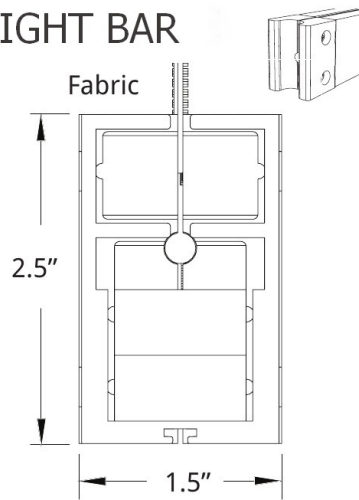
FUNNEL SYSTEM



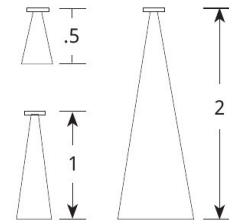
CLASSIC ZIPPER TRACK



CLASSIC ZIPPER TRACK WEIGHT BAR



PILE BRUSHES



WEATHER SEAL

