

# PURCHASE CONTRACT

## Peterbilt Illinois Joliet, Inc dba JX Truck Center

535 E. South Frontage Road  
 Bolingbrook IL 60440  
 (630) 616-3933



Date: 09/06/2023  
 Quote #: DE-03283  
 Type: Cash  
 Salesperson: Nathaniel Heller  
 PO #: \_\_\_\_\_

Bill To: **PROS-004700**  
 Village of Orland Park  
 15655 Ravinia Drive  
 Orland Park IL 60462  
 P:(708) 403-6350

Ship To:  
 Village of Orland Park  
 15655 Ravinia Drive  
 Orland Park, IL 60462

<b>Stock#: TBD</b>	<b>VIN:TBD</b>	<b>2025 PETERBILT 548</b>	<b>Price:</b>	<b>\$140,274.65</b>
		Windshield Heater Installation		<u>\$825.00</u>
			<b>Per Unit:</b>	<b>\$141,099.65</b>
<b>Stock#: TBD</b>	<b>VIN:TBD</b>	<b>2025 PETERBILT 548</b>	<b>Price:</b>	<b>\$140,274.65</b>
		Windshield Heater Installation		<u>\$825.00</u>
			<b>Per Unit:</b>	<b>\$141,099.65</b>
<b>Stock#: TBD</b>	<b>VIN:TBD</b>	<b>2025 PETERBILT 548</b>	<b>Price:</b>	<b>\$140,274.65</b>
		Windshield Heater Installation		<u>\$825.00</u>
			<b>Per Unit:</b>	<b>\$141,099.65</b>
			<b>Total Price</b>	<b>\$423,298.95</b>
			Documentation Fee	\$300.00
			Title Fee	\$495.00
			Plate Fee	\$24.00
			<b>Total</b>	<b>\$424,117.95</b>

Optional Extended warranties are available but not included in this purchase. Warranty can be added prior to delivery or up to 12 months after invoice. Purchase contract does not include floorplan interest for body builder install time. If not prepaying for the chassis prior to body up-fit, a \$4,000 floorplan cost would be added to each unit.

IMPORTANT BUYER INFORMATION

1. AS IS SALE. Any warranties from a Manufacturer or other supplier, including warranties on any Dealer-installed Non-Manufacturer accessories, are direct from such Manufacturer or supplier, not Dealers, and only such Manufacturer or other supplier will be liable for performance under those warranties. All goods, services and Vehicles sold by Dealer are sold "AS IS." SEE TERMS AND CONDITIONS SECTION 10 ON REVERSE SIDE.

2. TERMS AND CONDITIONS. The terms and conditions for this purchase and sale are attached.

3. NO ORAL AGREEMENTS. There are no oral agreements regarding the Vehicle(s). Employees, salespersons and managers are not authorized to make any oral representations, agreements or promises about the Vehicle that are not in writing. Any oral representation, agreement or promise not in writing is not a part of this Order and is not binding on Dealer.

4. NON-CANCELLABLE. This transaction is non-cancellable after the Dealer and Buyer sign this Order except as otherwise provided herein. I have read all terms printed on the front and back of this Order, and I understand and agree to them as part of this Order. I understand that the front and back of this Order, including the Terms and Conditions, comprise the entire agreement for this purchase, and no other agreement or understanding of any nature concerning the same has been made or entered into, or will be recognized. I also certify that there are no unwritten agreements or understandings and that no credit has been extended by Dealer nor arranged by Dealer for the cash down payment unless it appears in writing on the face of this Order. There are no blanks on this Order. I certify that I am at least 18 years old and acknowledge receipt of a copy of this Order. By signing below, I authorize outside parties to release financial information to the Dealer that includes, but is not limited to, information regarding lien amounts and details regarding the financing of the equipment listed on the face of this Order.

THIS ORDER SHALL NOT BECOME BINDING UNTIL ACCEPTED BY THE MANAGER.

Purchaser's Signature

Date

Sales Representative

Manager

## TERMS AND CONDITIONS OF SALE

The Order on the reverse side hereof includes, and is subject to, the following terms and conditions: 1. **DEFINITIONS AND RELATIONSHIP:** As used in this Order, the terms (a) "Dealer" means the dealership that owns or has a right to sell the Vehicle being sold; (b) "Buyer" means the party(ies) named on the reverse side as Buyer; (c) "Manufacturer" means the company that manufactured the Vehicle or chassis; and (d) "Vehicle(s)" shall mean the vehicle(s) being purchased by Buyer listed on the reverse side of this Order. Dealer is not the agent of Manufacturer. Dealer and Buyer are the only parties to this Order. Reference to Manufacturer is for the purpose of explaining generally the contractual relationships between Dealer and Manufacturer regarding new vehicles.

2. **PRICE CHANGES; MANUFACTURER, BODY-BUILDER OR UPFITTER FEES, COSTS OR SURCHARGES:** Manufacturer, and certain body-builders and upfitters, have reserved the right to change the price to Dealer of new vehicles and or to impose fees, costs or surcharges, without notice. In the event the price to Dealer of the Vehicle(s) is increased by Manufacturer, or a body-builder or upfitter, if applicable, prior to delivery of the Vehicle(s) ordered by Buyer, or Manufacturer, a body-builder or upfitter imposes fees, costs or surcharges, Dealer reserves the right to change the total delivered price of the Vehicle(s) to Buyer to pass thru such fees, costs or surcharges, accordingly, but without markup, overhead or profit to Dealer. Dealer will use reasonable efforts to promptly notify Buyer on receipt of notice of such increase, or imposition of fees costs or surcharges. Any such increase, or imposition of fees, costs or surcharges will not give rise to any right to cancel the Order, provided, however, that as a courtesy, and not as a matter of contractual obligation, Dealer may work with Buyer, and the applicable Manufacturer, bodybuilder or upfitter, regarding any available opportunity to cancel the Order.

3. **TRADE-IN REAPPRAISAL:** If a trade-in for the Vehicle(s) ordered by Buyer is not delivered to Dealer until delivery to Buyer of the ordered Vehicle(s), the trade-in will be reappraised at that time, and such reappraised value will determine the allowance made for the trade-in. If the reappraised value is lower than the original trade-in allowance shown on the front of this Order, Buyer may, if dissatisfied, cancel this Order, provided, however, that the right to cancel must be exercised prior to both the delivery to Buyer of the Vehicle(s) ordered and the surrender of the trade-in Vehicle to Dealer.

4. **EVIDENCE OF TITLE FOR TRADE-IN; REQUIREMENTS FOR TRADE:** Buyer agrees to deliver to Dealer evidence of unrestricted title to any trade-in as a part of the down payment for the Vehicle(s) ordered. Buyer warrants and represents any trade-in to be Buyer's property free and clear of all liens and encumbrances, except as expressly noted on the front of this Order. Buyer warrants and represents that the trade-in was not in a prior accident or has not incurred any frame damage nor is it a municipal, salvage, damaged, rebuilt or flood vehicle, nor has it been the subject of any "lemon" claim. The Buyer further warrants and represents that the odometer of the trade-in was not altered or tampered with prior to its transfer to the Dealer. Additionally, the buyer certifies that all emissions including, but not limited to, the diesel particulate filter, EGR valves, and EGR coolers function properly and will pass industry tests and inspections. When equipped, model year 2008 and newer trade-ins must have a fully functional particulate filter capable of regeneration at normal factory intervals.

5. **TRADE-IN ALLOWANCE.** The trade-in allowance shown on the reverse side may not represent the actual cash value of the Buyer's trade-in(s). Buyer acknowledges that such allowance may be an over allowance for said trade-in(s) in lieu of an additional discount on the purchase price of the Vehicle(s). In the event of any dispute between Buyer and Dealer as it may relate to any trade-in(s) or return of any trade-in or rescission of this Order, Dealer's only obligation as to the trade-in(s) shall be the actual amount received from the sale of the trade-in, less a selling commission of 15% and any expenses incurred in storing, insuring, conditioning or advertising the trade-in for sale, will be returned to Buyer.

6. **TRADE IN PAYOFF.** Dealer has relied on information from Buyer and/or the lien holder of Buyer's trade-in(s) to determine the "Est. Lien Payoff" shown. Buyer understands that the such payoff is only an estimate and may not be the actual amount owed. Buyer directs Dealer to pay off the lien on the trade-in as soon as practical after closing on this transaction. If the payoff balance on the trade-in is greater than the estimated payoff shown, Buyer agrees upon demand to promptly pay the difference to Dealer. If the payoff balance is less than the estimated payoff shown, Dealer shall promptly pay the difference, in Dealer's sole discretion, to either Buyer's lender or Buyer. Buyer acknowledges and agrees that as of the date of this Order that Buyer is or will be transferring title to and ownership of the trade-in(s) to Dealer but that Buyer, and not Dealer, will remain responsible for amounts due to Buyer's lender or lien holder for the trade-in(s) until paid in full, which may be after the date of this Order. Buyer will indemnify and hold Dealer, and any of its shareholders, directors, officers, members, managers, employees, agents, representatives, attorneys, insurers, affiliates, parents, successors and assigns, from any and all claims arising out of, or relating to, amounts that are or become due to Buyer's trade-in lender or lien holder after the date of this Order and prior to the lender or lienholder being paid in full.

7. **BUYER INDEMNITY.** Buyer agrees to indemnify and hold Dealer, its directors, officers, agents, and employees harmless from any and all claims of liability and expenses, including but not limited to, injury to person or property, loss of profit, and reasonable attorney fees, arising out of or in connection with any breach of this Order, or of the Buyer's warranties, representations, and agreements contained in this Order, including but not limited to the representations concerning any trade-ins.

8. **BUYER DEFAULT:** Unless this Order is canceled by Buyer as allowed by these Terms and Conditions, Dealer has the right, upon failure or refusal of Buyer to accept delivery of the Vehicle(s) ordered and to comply with the terms of this Order, to retain, as liquidated damages, any cash deposit made by Buyer and, may sell any trade-in and reimburse itself from the proceeds of such sale for the expenses specified in Paragraph 2 above, and for such other expenses and losses as Dealer may incur or suffer as a result of such default by Buyer, including lost profits.

9. **DESIGN CHANGES:** Manufacturer has reserved the right to change the design of any new Vehicle, chassis, accessory, or part at any time without notice, without the obligation to make the same or any similar change upon any Vehicle, chassis, accessory, or part previously purchased by or shipped to Dealer or being manufactured or sold in accordance with Dealer's orders. In the event of any such change by Manufacturer, Dealer has no obligation to Buyer to make the same or any similar change in any Vehicle, chassis, accessory, or part covered by this Order, either before or after delivery to Buyer.

10. **DELIVERY LIABILITY LIMITATION:** Dealer will not be liable for failure to deliver or delay in delivering the Vehicle(s) where such failure or delay is due, in whole or in part, to any cause beyond the control or without the fault or negligence of Dealer. Buyer agrees that Buyer is not entitled to recover from Dealer any consequential damages, damages to property, damages for the loss of use of the Vehicle(s), loss of time, loss of profits or income, or any other incidental damages which may result from failure to deliver or delay in delivery of the Vehicle(s) where such failure or delay is due, in whole or in part, to any cause beyond the control or without the fault or negligence of Dealer, including, but not limited to, Manufacturer's failure to produce or deliver the Vehicle(s).

11. **TAXES:** The total taxable price for the Vehicle(s) ordered does not include sales, use, excise, or other taxes (Federal, State or local). Buyer assumes and agrees to pay, unless prohibited by law, any such taxes imposed on or applicable to the transaction covered by this Order, regardless of which party may have primary tax liability.

12. **WARRANTY DISCLAIMER:** A. IN THE EVENT A VEHICLE IS EITHER A NEW VEHICLE, DEMONSTRATOR, OR A USED VEHICLE STILL SUBJECT TO A MANUFACTURER'S WARRANTY, DEALER EXPRESSLY DISCLAIMS ALL WARRANTIES, EXPRESS AND IMPLIED (INCLUDING ANY IMPLIED WARRANTY OF MERCHANTABILITY OR FITNESS FOR A PARTICULAR PURPOSE) ON SUCH VEHICLE. FURTHER, DEALER NEITHER MAKES NOR AUTHORIZES ANY OTHER PERSON TO MAKE ON DEALER'S BEHALF, ANY WARRANTY IN CONJUNCTION WITH THE SALE OF ANY VEHICLE. AS TO ANY MANUFACTURER'S WARRANTY WHICH MAY BE EXTENDED TO BUYER BY MANUFACTURER, DEALER SPECIFICALLY DISCLAIMS ANY LIABILITY THEREUNDER, SUCH MANUFACTURER'S WARRANTY BEING BETWEEN BUYER AND MANUFACTURER ONLY. B. UNLESS A SEPARATE WRITTEN INSTRUMENT SHOWING THE TERMS OF ANY DEALER WARRANTY OR SERVICE CONTRACT IS FURNISHED BY DEALER TO BUYER, ALL VEHICLES ARE SOLD "AS IS," AND THE DEALER DISCLAIMS ALL WARRANTIES,

EITHER EXPRESS OR IMPLIED, INCLUDING ANY IMPLIED WARRANTY OF MERCHANTABILITY OR FITNESS FOR A PARTICULAR PURPOSE. C. IN THE EVENT A VEHICLE IS A USED VEHICLE SUBJECT TO FEDERAL TRADE COMMISSION RULES REQUIRING THE POSTING OF A "BUYER'S GUIDE" THE INFORMATION ON THE WINDOW FORM FOR THIS VEHICLE IS PART OF THIS CONTRACT, INFORMATION ON THE WINDOW FORM OVERRIDES ANY CONTRARY PROVISIONS IN THIS ORDER. D. Buyer has selected the Vehicle(s) and any configuration or options, and has not relied on the Dealer for such selection. E. Dealer is not part of any aftermarket or third-party service contract or warranty which may be sold by Dealer. Buyer will look only to the third-party seller of any such aftermarket service contract or warranty, and not to Dealer, for any remedy or recourse.

13. **DAMAGE DISCLOSURE: A. NEW VEHICLE. DEMONSTRATOR. EXECUTIVE OR MANUFACTURER'S VEHICLE OR PROGRAM VEHICLE:** Damage to a new Vehicle (including to all mechanical components, electrical components, sheet metal, paint, trim or other appearance items) may occur either at the factory during assembly, while the Vehicle is being transported to Dealer, or while in Dealer's possession awaiting sale. Normally, any damage which occurs during assembly is detected and corrected at the factory during the inspection process. Damage which has been repaired by the Manufacturer prior to delivery to Dealer, since generally unknown to Dealer, will not be disclosed. **B. USED VEHICLES:** Since a used Vehicle has been subject to use and possibly to body and mechanical damages, the Vehicle may have been subject to repairs for mechanical reasons or to enhance appearance for sale. Such repairs may include body work and painting of the Vehicle. Since (i) Buyer has the right to inspect the Vehicle, (ii) Dealer generally lacks knowledge of all prior repairs, and (iii) there is uncertainty as to what may be deemed material to Buyer. Dealer makes no representations as to former damage or as to whether the Vehicle was in a prior accident, bad frame damage or incurred any other damage that would affect the condition of the vehicle or its value.

14. **ODOMETER DISCLAIMER:** The mileage shown on the odometer of the Vehicle(s) sold or leased is believed by Dealer to be the actual mileage of the Vehicle(s) unless otherwise disclosed. However, Dealer makes no warranties or representations as to the actual mileage that the Vehicle has been driven, and expressly disclaims any liability for damages which may be asserted by Buyer, or Buyer's transferees or assigns, in the event the mileage shown is incorrect. Should the vehicle subject to this Agreement be subject to the Federal Odometer Statute, the Odometer Statement provided by the Dealer shall control.

15. **COLOR OR EQUIPMENT CHANGE:** If the Vehicle(s) ordered is received by Dealer with a different color or equipment, Buyer will be notified. If Dealer and Buyer reach an agreement as to purchase of the Vehicle(s), a new Order shall be completed by Dealer and Buyer covering the Vehicle(s) received; and the new Order will take the place of this Order and this Order will be null and void.

16. **OTHER DOCUMENTS:** The Buyer, before or at the time of delivery of the Vehicle, will sign such other documents as may be required by the terms and conditions of payment indicated on the front of this Order.

17. **SAVINGS CLAUSE. GOVERNING LAW AND VENUE:** Any provisions of this Order prohibited by State or Federal Law will be ineffective to the extent of such prohibition, but shall not invalidate the remaining provisions of this Order. This Order shall be governed by the laws of the State in which it is written, and Buyer agrees that the state court of the county in which the Dealer is located shall be the court of exclusive jurisdiction and venue with respect to any disputes arising from or related to this Order.

18. **ARBITRATION:** Any dispute arising out of or relating to this Order shall be resolved by binding arbitration before a single arbitrator pursuant to the Arbitration Rules of Resolute Systems, Inc. in effect on the date of this Order. Buyer acknowledges that in partial consideration for the agreements, covenants and representations of the parties hereto that he/she/it has or shall upon signing this Order or thereafter upon presentment by Dealer sign a separate arbitration agreement with Dealer, the terms and conditions of which are incorporated in this Order and made a part hereof.

19. **FINANCING.** Dealer intends to assign to a third-party lender any retail installment contract executed by Buyer for the purchase of the Vehicle(s). Buyer understands and agrees that Dealer SHALL NOT BE OBLIGATED TO SELL the Vehicle(s) to him/her/it unless a third-party lender accepts the assignment of the retail installment contract signed by the Buyer. The Order and retail installment contract may be cancelled at any time by Dealer, if Dealer determines in its sole discretion that it cannot obtain third party lender approval and may be cancelled by either party within twenty-one (21) days hereafter if such approval is not obtained on the agreed terms within such time. Additional terms may apply as set out in the retail installment contract and/or a finance rider. Buyer agrees to provide Dealer with a true, correct and complete credit application and cooperates fully in obtaining financing, including providing supporting documentation and Buyer acknowledges that Dealer is solely relying on the accuracy of such information. In the event the Order is terminated as provided herein, Dealer shall return any monetary deposit made by Buyer to Dealer and Buyer agrees to return the Vehicle(s) to Dealer upon demand. In the event that Buyer does not return the Vehicle(s) as required herein, the Dealer may repossess the Vehicle(s) and Buyer shall be liable for all costs, expenses and reasonable attorneys' fees incurred by Dealer related to such repossession and any damages to the Vehicle(s).

20. **FAILURE TO DELIVER TRADE-IN VEHICLE OR TITLE.** If Buyer fails to deliver any trade-in or good title to such Vehicle(s) on or before the time of deliver of the Vehicle(s) to Buyer, this Order shall remain in full force and effect unless cancelled by the Dealer, except that at the election of the Dealer, there shall be immediately due and payable from the Buyer to Dealer the amount of the gross-trade in allowance plus all applicable taxes.

21. **SECURITY INTEREST IN TRADE-IN.** By signing this Order, Buyer grants to Dealer a security interest in the trade-in Vehicle(s) to secure Buyer's obligations under this Order and the other documents executed herewith. In the event of a breach of the Order by the Buyer, Dealer may exercise all rights of a secured party under the Uniform Commercial Code with respect to the trade-in. Buyer agrees to execute any and all documents reasonably required by Dealer to perfect Dealer's security interest granted herein.

22. **PROMISSORY NOTE/ADDITIONAL CHARGES.** Any additional sums due pursuant to the terms of this transaction may be evidenced by a promissory note executed by Buyer in favor of Dealer. In the event any payment made by Buyer to Dealer is in the form of a check which is dishonored for any reason, Buyer shall pay a service charge to Dealer in the amount of \$100.00 plus any and all other compensatory and any other credit related costs under applicable law.

23. **SUCCESSION.** This Order is binding and shall inure to the benefit of the parties hereto and their respective heirs, executors, personal representatives, successors, and assigns, except that Buyer may not assign this Order or any interest therein, in whole or in part, without the prior written consent of Dealer.

24. **REBATE.** If a rebate from the Manufacturer is reflected on the reverse side of this Order, Buyer understands that such rebate is being subtracted from the total amount due as a courtesy to the Buyer. If Buyer does not qualify for the Manufacturer's rebate indicated on this Order, Buyer agrees to pay the amount of the rebate plus applicable taxes to Dealer within three (3) days after demand by Dealer.

25. **OTHER DOCUMENTS; CORRECTION.** The Buyer shall at any time upon demand by Dealer, even if such demand is after the date of this Order, execute such forms, agreements, or other documents as may be reasonably required to complete the transaction contemplated by this Order, or to evidence correction of mathematical or scrivener's errors.

26. **REPOSSESSION.** In addition to any other remedies that may be available to Dealer, in the event Buyer is unable to secure financing to purchase the Vehicle(s), Buyer's down payment check(s) do not clear or are not honored, or Buyer is otherwise in default of this Order or other written agreement related hereto, prior to full payment to dealer, and Buyer refuses to return the Vehicle(s) as required herein, Buyer authorizes Dealer to repossess the Vehicle(s) with or without legal process pursuant to applicable law.

27. **RIGHT TO INSPECT-FINAL ACCEPTANCE OF VEHICLE.** The Buyer acknowledges that he/she/it has been given an opportunity to thoroughly inspect the Vehicle(s) prior to taking delivery and that by taking delivery the Buyer accepts the Vehicle(s) in the condition on the date of this Order with all defects or non-conformities. For pre-owned Vehicle(s), except as otherwise required by law, Buyer accepts the Vehicle(s) in an "AS IS" condition. Receipt of delivery of the Vehicle(s) hereunder constitutes the Buyer's acknowledgment that the Vehicle(s) conforms to this Order and constitutes the Buyer's unqualified acceptance of the Vehicle(s), including pursuant to Section 2-606 of the Uniform Commercial Code.

28. **LIMITATIONS ON TIME PERIOD IN WHICH BUYER CAN FILE A LAWSUIT OR ARBITRATION CLAIM (AS APPLICABLE) AGAINST THE DEALER:** Buyer agrees that any arbitration claim (if applicable) or lawsuit arising out of or related to the purchase or lease of the Vehicle(s) described herein against the Dealer must be filed no more than 365 days after the date of the delivery of the Vehicle. While Buyer understands that the statute of limitations for claims arising out of the purchase of the Vehicle(s) may be longer than 365 days, Buyer agrees to be bound by the 365 day period of limitations as set forth herein, and BUYER WAIVES ANY STATUTE OF LIMITATIONS TO THE CONTRARY. This provision shall not apply to any action to enforce any retail installment contract, if any, executed in connection herewith.

29. **NOTICE TO DEALER OF DEFECTS OR CLAIM.** Buyer agrees to give Dealer prompt written notice, but in no event more than twenty-one (21) days after discovery, of any alleged defect or nonconformity related to the Vehicle(s) and afford Dealer, in its sole discretion, the reasonable opportunity to correct or repair such defect or nonconformity.

30. **TITLE.** The parties hereto agree that the title to the Vehicle(s) shall not pass to the Buyer until such time as Buyer has fully performed all of his/hers/its obligations contained herein.

31. **VEHICLE EMISSION LAW.** Dealer makes no representations or warranty that the Vehicle(s) sold hereunder passed, or will pass, any inspection required by any state vehicle emission inspection law. Compliance is the responsibility of the Buyer.

32. **CONSEQUENTIAL DAMAGES.** Buyer shall not be entitled to recover from Dealer any consequential or incidental damages for loss of use, loss of time, loss of profit or income, or any other incidental damages including, without limitations, any damages arising from liability on breach of warranty, contract, tort, strict liability or any other statutory or common law theory of liability or punitive damages.

33. **ATTORNEYS FEES.** In the event of any breach of this Order or default by Buyer, Dealer shall be entitled to collect all costs and expenses incurred by Dealer, including, but not limited to, reasonable attorneys' fees from Buyer, in addition to any other damages permitted by law, related to the enforcement of this Order.

34. **SEVERABILITY.** Buyer and Dealer agree that if any portion of this Order is deemed unenforceable or contrary to the law, only that portion of the Order shall fail, the remainder of the Order shall remain in force.

35. **WAIVER OF CLASS ACTION. TO THE EXTENT PERMITTED BY LAW, BUYER AGREES NOT TO BRING, JOIN, OR PARTICIPATE IN ANY CLASS ACTION AS TO ANY CLAIM, DISPUTE, OR CONTROVERSY AGAINST DEALER, ITS EMPLOYEES, OFFICERS, DIRECTORS, AND ASSIGNS. BUYER AGREES TO THE ENTRY OF INJUNCTIVE RELIEF BARRING ANY SUCH ACTION AND TO PAY ALL OF DEALER'S ATTORNEYS' FEES AND COURT COSTS INCURRED IN SEEKING SUCH RELIEF. THIS PROVISION DOES NOT CONSTITUTE A WAIVER OF BUYER'S RIGHTS AND REMEDIES TO PURSUE A CLAIM INDIVIDUALLY AS OTHERWISE AGREED TO BETWEEN THE PARTIES.**

36. **WAIVER OF JURY TRIAL. THE PARTIES WAIVE ANY RIGHT TO TRIAL BY JURY IN ANY ACTION OR PROCEEDING TO ENFORCE OR DEFEND ANY RIGHTS UNDER THIS ORDER OR RELATED, DIRECTLY OR INDIRECTLY, TRANSACTION HEREUNDER AND AGREES THAT ANY ACTION OR PROCEEDING SHALL BE TRIED BEFORE A COURT AND NOT BEFORE A JURY.**

Village of Orland Park

Purchaser

Purchaser's Signature

Date

**AGREEMENT AND ACKNOWLEDGMENT**  
**REGARDING PRICE INCREASES, SURCHARGES, FEES AND COSTS**

Vehicle Order: DE-03283

Buyer: Village of Orland Park

Dealer: Peterbilt Illinois Joliet, Inc dba JX Truck Center

Date: 09/06/2023

Dealer, and its manufacturers, bodybuilders, upfitters and other suppliers are experiencing unprecedented cost increases resulting from global supply shortages, including the pandemic, increased demand for electronic chips, and scarcity of certain raw materials. Dealer is faced with incredible volatility in its business, accordingly, particularly for non-commodity units and chassis. In order to manage that volatility, and to enter into the above vehicle order, Dealer requires the right to pass such increases through to the Buyer. Accordingly, and as additional consideration to Dealer relative to the above-referenced sale, the parties agree that Manufacturer, and certain body-builders and upfitters, have reserved the right to change the price to Dealer of new vehicles and or to impose fees, costs or surcharges, without notice. In the event the price to Dealer of the Vehicle(s) is increased by Manufacturer, or a body-builder or upfitter, if applicable, prior to delivery of the Vehicle(s) ordered by Buyer, or Manufacturer, a body-builder or upfitter imposes fees, costs or surcharges, Dealer reserves the right to change the total delivered price of the Vehicle(s) to Buyer to pass thru such fees, costs or surcharges, accordingly, but without markup, overhead or profit to Dealer. Dealer will use reasonable efforts to promptly notify Buyer on receipt of notice of such increase, or imposition of fees costs or surcharges. Any such increase, or imposition of fees, costs or surcharges will not give rise to any right to cancel the Order, provided, however, that as a courtesy, and not as a matter of contractual obligation, Dealer may work with Buyer, and the applicable Manufacturer, body-builder or upfitter, regarding any available opportunity to cancel the Order.

This Agreement and Acknowledgment Regarding Price Increases, Surcharges, Fees and Costs will govern over any other or conflicting document on the issue of pricing and price increases.

**DEALER:**  
**Peterbilt Illinois Joliet, Inc dba JX Truck Center**

535 E. South Frontage Road  
Bolingbrook IL 60440

**BUYER:**  
**Village of Orland Park**

15655 Ravinia Drive  
Orland Park, IL 60462

By: \_\_\_\_\_  
Print: \_\_\_\_\_

By: \_\_\_\_\_  
Print: \_\_\_\_\_

**ADDENDUM**  
**Order Contract/Commitment**

**2024CY Availability of MD chassis & engines**  
**Including Model 5 series & 220**

This serves to inform Buyer; JX is unable to offer supply of engines in chassis which are compliant and approved for registration in CARB states (includes but not limited to CA & OR).

Therefore it is the responsibility of and recommendation that Buyer advises its end customer the condition of final sale in CARB states.

Village of Orland Park

**Buyer** \_\_\_\_\_

**Date** 09/06/2023



Peterbilt Illinois-Joliet (P128)  
 535 East S. Frontage Rd  
 Bolingbrook, Illinois 60440

Village Of Orland Park  
 14700 South Ravinia Ave  
 Orland Park, Illinois 60462  
 United States of America

Nathaniel Heller  
 Cell Phone:  
 Office Phone: (708)889-4666  
 Email: nheller@jxe.com

Andrew Folkerts

## Vehicle Summary

	Unit		Chassis	
Model:	Model 548	Fr Axle Load (lbs):		14600
Type:	Full Truck	Rr Axle Load (lbs):		23000
Description 1:	548 Single Axle Plow	G.C.W. (lbs):		66000
Description 2:	Orland Park 3 Units			
	<b>Application</b>	Road Conditions:		
Intended Serv.:	Snowplow	Class A (Highway)		100
Commodity:	Other Commodity	Class B (Hwy/Mtn)		0
		Class C (Off-Hwy)		0
		Class D (Off-Road)		0
	<b>Body</b>	Maximum Grade:		6
Type:	End Dump	Wheelbase (in):		154
Length (ft):	24	Overhang (in):		70
Height (ft):	13.5	Fr Axle to BOC (in):		69.5
Max Laden Weight (lbs):	1000			
		Cab to Axle (in):		84.5
		Cab to EOF (in):		154.5
	<b>Trailer</b>	Overall Comb. Length (in):		264
No. of Trailer Axles:	0			
Type:				
Length (ft):	0			
Height (ft):	0			
Kingpin Inset (in):	0			
Corner Radius (in):	0			
	<b>Restrictions</b>			
Length (ft):	40			
Width (in):	102			
Height (ft):	13.5			

### Special Req.

Approved by: \_\_\_\_\_

Date: \_\_\_\_\_

Note: All sales are F.O.B. designated plant of manufacture.





Std/ Opt	Description	Weight
<b>Base Model</b>		
S	<b>Model 548</b> The Model 548 meets and exceeds the demands of Class 7 and Class 8 specialty application markets that require a rugged workhorse for durability and a wide range of optional content. The Model 548 is available in configurations with a GVW from 33,001 to 66,000 lbs. to suit most vocational applications. The 548 also offers all-wheel-drive. From construction and crane service to utility and delivery services in both Class 7 and Class 8 markets, the 548 is in a class of its own.	10,860
S	<b>Other Commodity</b>	0
O	<b>Snowplow</b> Truck which is configured for mounting a snowplow to the front. May also have dump or other body.	0
O	<b>End Dump</b>	0
S	<b>United States Registry</b> Canadian Registry Package Requires Air Conditioning Excise Tax Canada, Speedometer to be KPH ipo MPH, Daytime Running Lights and Rubber Battery Pad in Bottom of Battery Box.	0
<b>Configuration</b>		
S	<b>Not Applicable</b> Secondary Manufacturer	0
<b>Frame &amp; Equipment</b>		
O	<b>10-3/4" Steel Rails To 354"</b> 10.75x3.5x.375 Dimension, 2,136,000 RBM; Yield Strength: 120,000 psi. Section Modulus: 17.8 cubic inches. Weight: 1.74 lbs/inch pair	327
S	<b>Heavy Duty 5-Piece Crossmember BOC IPO Standard</b> Class 5, 6, 7	0
O	<b>Zinc Coated Anti Corrosion Treated Frame Rails</b> Requires Frame Rail Code. Zinc Phosphate coating will replace the standard frame rail primer and provide added corrosion prevention for your customer's operating in severe conditions or in climates where vehicle rust is common.	2
S	<b>Aluminum Frame Rail Crossmembers</b> Excludes suspension	0
O	<b>Custom Wheelbase or Overhang</b> Engineering approval may be required.	0
O	<b>24" Bumper Extension, W/O Adapter</b>	90
S	<b>EOF Square without Crossmember</b> End-of-frame square without crossmember. For use with body builder installed crossmember.	0
O	<b>Omit Rear Mudflaps and Hangers</b>	-25
<b>Front Axle &amp; Equipment</b>		

Price Level: January 1, 2024

100% Complete

Date: September 06, 2023

Deal: 548 Single Axle Plow

Quote Number: QUO-903383-N7Z2R8

Printed On: 9/6/2023 12:47:08 PM



Std/ Opt	Description	Weight
O	<b>Meritor MFS+14F 14,600 Lb, 3.5" Drop</b>	-28
O	<b>Taper Leaf Springs, Shocks 14,600 lb</b> Hendrickson Taper Leaf Springs, shocks 14,6000 lb.	56
O	<b>Power Steering Sheppard SD110</b> The SD110 power steering gear is a compact version of the M110 power steering gear. The SD110, working with a 185 bar pump is capable of steering vocational and heavy haul vehicles with front axle ratings of 13,200 to 16,000 lbs. in single gear applications.	44
S	<b>Power Steering Reservoir Frame Mounted</b> The power steering reservoir is a steering system that eases drivability by applying hydraulic pressure to the steering gear.	0
O	<b>PHP10 Iron PreSet PLUS Hubs - Air Disc</b> Preset iron hub assemblies are designed for demanding conditions and require less maintenance while still offering dependability and superior performance. Precisely engineered to minimize roller stress under heavy loads and increase bearing life when used in demanding conditions such as wide-based single wheels and misalignment due to spindle wear.	27
O	<b>Bendix Air Disc Front Brakes</b> Bendix air disc front brakes use a floating caliper design to provide foundation braking on all axles and complies with reduced stopping distance regulations.	30
O	<b>Meritor Wide Track IPO Standard, Front Axle</b> Meritor wide track front axle offers greater turning radius and ease of service. MFS+ 3.5" Drop / MFS 3.74" Drop. 71in KPI IPO 69in with MFS and MFS+ axles.	15
<b>Rear Axle &amp; Equipment</b>		
O	<b>Meritor RS23-161 23,000 lb</b> Laser factory axle alignment to improve handling & reduce tire wear. Magnetic rear axle oil drain plug captures & holds any metal fragments in drive axle lube to extend service life. Parking brakes on all drive axles for optimal performance. Cognis EMGARD® FE 75W-90 synthetic axle lube provides over 1% fuel economy improvement. Reduces wear & extends maintenance intervals, resulting in increased uptime. Provides improved fluid flow to protect components in extreme cold conditions & withstand the stress from high temperatures, extending component life.	7
O	<b>PHP10 Aluminum Preset PLUS Hubs - Air Disc</b>	0
O	<b>Bendix Smart ATC Traction Control</b>	2
O	<b>Rear Brake Camshaft Reinforcement</b> Rear brake camshaft reinforcement helps guard against wear and corrosion.	9
S	<b>SBM Valve</b> Full trucks require a spring brake modulation (SBM) system for emergency braking application. This system requires an SBM valve and a relay valve with spring brakes on the rear axles. The SBM valve	0

Price Level: January 1, 2024

100% Complete

Date: September 06, 2023

Deal: 548 Single Axle Plow

Quote Number: QUO-903383-N7Z2R8

Printed On: 9/6/2023 12:47:08 PM



Std/ Opt	Description	Weight
	allows the foot valve to operate the rear axle spring brakes if a failure exists in the rear air system.	
O	<b>Diff Lock, Single Drive Axle with Speed Interlock</b>	30
S	<b>Stability System Not Selected Or Not Available</b>	0
S	<b>Anti-Lock Braking System (ABS) 4S4M</b> ABS-6. Includes air braking system.	0
S	<b>Synthetic Axle Lubricant All Axles</b> Peterbilt heavy duty models include Fuel Efficient Cognis EMGARD FE75W-90 which provides customers performance advantages over current synthetic lubricants with reduced gear wear and extended maintenance intervals, resulting in increased uptime. In addition, the lubricant provides improved fluid flow to protect gears in extreme cold conditions and withstand the stress from high temperatures, extending component life.	0
O	<b>Air Disc Rear Brakes, Single Drive Axle</b>	0
O	<b>Ratio 6.14 Rear Axle</b>	0
O	<b>Peterbilt Air Trac 23,000 lb Light Weight</b>	110
O	<b>Air Springs, Internal Bumpers</b> Air Trac / Air Leaf suspensions	0
O	<b>Dash Mtd Dump Switch with Indicator Light</b> Dash mounted dump switch with indicator light for suspension.	2

### Engine & Equipment

O	<b>PACCAR PX-9 330@2000 GOV@2200 1000@1200</b> Productivity (2024 Emissions)	0
	N21350 C121 64....Maximum Accelerator Pedal Ve	
	N21370 C128 64....Maximum Cruise Speed (P059)	
	N21460 C132 1400..Max PTO Speed (P046)	
	N21520 C133 5.....Timer Setting (P030)	
	N21610 C188 39....Low Ambient Temperature Thre	
	N21620 C189 60....Intermediate Ambient Tempera	
	N21630 C190 80....High Ambient Temperature Thr	
	N21550 C206 35....Engine Load Threshold (P516)	
	N21340 C209 120...Hard Maximum Speed Limit (P1	
	N21510 C225 YES...Enable Idle Shutdown Park Br	
	N21450 C231 NO....Gear Down Protection (P026)	
	N21570 C233 NO....Idle Shutdown Manual Ovrul	
	N21440 C234 NO....Engine Protection Shutdown (	
	N21480 C238 NO....Auto Engine Brake in Cruise	
	N21470 C239 NO....Cruise Control Auto Resume (	
	N21430 C333 0.....Reserve Speed Limit Offset (	
	N21410 C334 0.....Maximum Cycle Distance (N202	
	N21590 C382 YES...Enable Hot Ambient Automatic	
	N21500 C395 0.....Expiration Distance (N209)	

Price Level: January 1, 2024

100% Complete

Date: September 06, 2023

Deal: 548 Single Axle Plow

Quote Number: QUO-903383-N7Z2R8

Printed On: 9/6/2023 12:47:08 PM



Std/ Opt	Description	Weight
	N21530 C396 YES...Enable Impending Shutdown Wa	
	N21540 C397 60....Timer For Impending Shutdown	
	N21320 C399 120...Standard Maximum Speed Limit	
	N21400 C400 252...Reserve Speed Function Reset	
	N21420 C401 10....Maximum Active Distance (N20	
	N21330 C402 0.....Expiration Distance (N207)	
S	<b>VMUX Electronics Architecture</b>	0
O	<b>Engine Idle Shutdown Timer Enabled</b>	0
O	<b>Enable EIST Ambient Temp Override</b>	0
	<b>Eff EIST NA Expiration Miles</b>	0
	<b>Effective VSL Setting NA</b>	0
O	<b>Typical Operating Speed 60 MPH</b>	0
O	<b>Powertrain Optimized for Performance</b> Best analysis for vehicles used in vocational applications or with heavy GCWRs.	0
O	<b>Remote PTO/Throttle, 12-Pin</b> Eng Bay Remote Control Provision	0
O	<b>EPA Emission Warranty</b>	0
S	<b>EPA Engine Idling Compliance</b>	0
S	<b>PACCAR 160 Amp Alternator, Brushed</b> PACCAR 160 AMP alternator, brushed producing 160 Amps at road speed and 100 Amps at idle.	0
O	<b>Immersion Type Block Heater 110-120V</b> Standard location is left-hand under cab, Model 520 is in bumper, and for Model 220 it is at the driver step. Plug includes a weather-proof cover that protects the receptacle. This pre-heater keeps the coolant in the engine block from freezing when the engine is not running.	2
S	<b>PACCAR 12V Starter, N/A PACCAR MX Engines</b> PACCAR 12-volt electrical system. With centralized power distribution incorporating plug-in style relays. Circuit protection for serviceability, 12-volt light system w/circuit protection circuits number & color coded.	0
O	<b>3 PACCAR Premium 12V Dual Purpose Batt 2190 CCA</b> Threaded stud type terminal. Stranded copper battery cables are double aught (00) or larger to reduce resistance.	62
O	<b>Low Voltage Disconnect System</b>	0
O	<b>MD - Battery Disconnect Switch</b> Mounted on Battery Box	9
O	<b>Belt Driven Variable Speed Fan Clutch PX9 Engine</b> PX7/ PX9/L9N/B6.7N. The belt-driven fully variable speed fan drives communicate directly with the PX9 ECM through the included electronic	0

Price Level: January 1, 2024

100% Complete

Date: September 06, 2023

Deal: 548 Single Axle Plow

Quote Number: QUO-903383-N7Z2R8

Printed On: 9/6/2023 12:47:08 PM



Std/ Opt	Description	Weight
	controller, managing the fan speed to match the exact amount of cooling required. The optimized setup creates smoother engagements, reduces noise and frees up available horsepower. These fan drives are also maintenance-free. A belt, additional pulleys, idlers, tensioners, and a drive hub are included to drive the fan.	
S	<b>18.7 CFM Air Compressor</b> N/A X15. Furnished on engine. Teflon lined stainless steel braided compressor discharge line.	0
S	<b>VGT Exhaust Brake</b> (Variable Geometry Turbo). Provides approximately 90-100 HP of retardation and is part of the turbocharger.	0
S	<b>PACCAR Fuel/Water Separator Standard Service</b> PACCAR Fuel/Water separator standard service intervals. High efficiency media protects critical engine components.	0
O	<b>Fuel Heat for Fuel Filter</b>	0
O	<b>12V Heat for Fuel Filter</b> Fuel filter heaters help ensure a seamless flow of diesel from the tank to the combustion chamber. Eliminating any possibility of moisture freezing within the fuel filter while simultaneously increasing the fuel temperature for atomization within the engine.	0
O	<b>Engine Protection Shutdown w/ Label</b> Includes oil pressure, oil temperature, coolant temperature, and intake manifold temperature.	0
S	<b>High Efficiency Cooling System</b> Cooling module is a combination of steel and aluminum components, with aluminum connections to maximize performance and cooling capability. Silicone radiator & heater hoses enhance value, durability, & reliability. Constant tension band clamps reduce leaks. Chevron Delo Extended Life Coolant (NOAT) extends maintenance intervals reducing maintenance costs. Anti-freeze effective to -30 degrees F helps protect the engine. Low coolant level sensor warns of low coolant condition to prevent engine damage. Radiator Size by Model: 367 1325 sq in, 367 HH Fepto 1325 sq in, 365 Fepto 1183 sq in, 365 Full Frame Extension 1000 sq in, 520 1202 sq in, 579 1456.9 sq in, 535/536/537/548 949.3 sq in, 537/548 VOC 1000.3 sq in, 389/367 HH 1604 sq in, 365/567 1379 sq in.	0
S	<b>(1) Air Cleaner Engine Mounted</b>	0
O	<b>Exhaust Single RH Side of Cab</b> DPF/SCR RH Under Cab, Single Module	29
O	<b>Curved Tip Standpipe(s)</b>	1
O	<b>18" Ht, 5" Dia Chrome, Clear Coat Standpipe(s)</b>	0
<b>Transmission &amp; Equipment</b>		
O	<b>Allison 3000 RDS-P Transmission, Gen 6</b> Rugged Duty Series	459
O	<b>SPL140 HD Driveline, 1 Midship Bearing</b>	-55

Price Level: January 1, 2024

100% Complete

Date: September 06, 2023

Deal: 548 Single Axle Plow

Quote Number: QUO-903383-N7Z2R8

Printed On: 9/6/2023 12:47:08 PM





Std/ Opt	Description	Weight
O	<b>Automatic Transmission Oil Cooler</b> Vocational Hood Only	13
O	<b>Main Transmission Rear Support</b> Additional rear support for the transmission to provide a firm, durable design that improves stabilization of the drivetrain in rugged terrain	10
O	<b>Auto Neutral Activates With Parking Brake</b> Auto Neutral helps improve jobsite safety by reducing the possibility of the truck moving due to throttle application.	0
O	<b>Allison FuelSense Not Desired</b> Dynamic Shift Sensing	0
O	<b>Allison Neutral At Stop</b> Neutral at Stop features and benefits: Reduces or eliminates the load on the engine when vehicle is stopped, can help lower fuel consumption and CO2 emissions, and is included in FuelSense 2.0 Plus and Max packages only.	0
O	<b>Severe Service Rear Transmission Support Spring</b>	0
O	<b>Allison 6-Speed Configuration, Close Ratio Gears</b> 3000 Series Transmissions.	0
O	<b>Seat Mounted Lever Shifter</b>	4
O	<b>Rolling Direction Change Shift Inhibit Feature</b> Allison transmissions. A programmable feature that keeps the transmission from shifting from Drive to Reverse or from Reverse to Drive above a preset speed. This wireless function is enabled when a switch is closed to complete the circuit between input wire 101 and ground. Frequently the function is interfaced with a switch indicating activation of another vehicle function, such as application of the service brakes. When the function is enabled, the TCM will recognize the request for a direction change shift, Reverse-to-Drive or Drive-to-Reverse. If all other operating conditions are acceptable, the TCM will command the requested shift. The enable remains in effect until the switch is opened, followed by the selection of a different direction, Reverse or Drive, at the shift selector. This could be used for doc spotters and refuse. If the function is not enabled, any shift which results in a change of direction is inhibited.	0
O	<b>LH Mounted Trans PTO Provisions</b>	0
<b>Air &amp; Trailer Equipment</b>		
O	<b>Bendix AD-HF EP Air Dryer, Heater</b> Coalescing filter, extended purge. Bendix AD-HF air filters protects the life of your engine system and components. Proven PuraGuard oil coalescing technology in the the air dryer cartridge. This oil coalescing filter ensures the removal of oil and oil aerosols before they can contaminate the moisture removing desiccant.	0
O	<b>Pull Cords All Air Tanks</b>	0



Std/ Opt	Description	Weight
S	<b>Nylon Chassis Hose</b>	0
O	<b>Aluminum Painted Air Tanks</b> All air tanks are aluminum with painted finish except when Code 4543330 Polish Aluminum Air Tanks is also selected (then exposed air tanks outside the frame rails will be polished aluminum). Peterbilt will determine the optimal size and location of required air tanks. Narratives requesting a specific air tank size or location will not be accepted for factory installation. See ECAT to determine number or location of air tanks installed.	-45
O	<b>High Mount Air Tanks BOC/BOS Where Possible</b> Subject to frame review	0
O	<b>Body Connections 5' BOC</b> Junction box contains light and power circuits for body connections located 5' from back-of-cab	4
O	<b>AE Connection EOF, 7-Way Socket, 4' Additional</b> Lines coiled and strapped to frame, without gladhands	0

### Tires & Wheels

O	<b>FF: GY 16ply 12R22.5 Endurance RSA</b> Efficiency Rating: Poor Goodyear Endurance RSA to help fleets reduce their cost per mile and maximize productivity on the job. This GHG-compliant tire features an innovative tread compound for enhanced fuel efficiency and scrub resistance. Ideal for highway and city driving, the Endurance RSA offers significant advantages in wear, rolling resistance and curb impact resistance. Diameter= 43.1 inches; SLR= 20.2 inches.	56
O	<b>RR: MN 16ply 11R22.5 X Multi D</b> Efficiency Rating: Poor Diameter= 41.4 inches; SLR= 19.4 inches	56
O	<b>Code-rear Tire Qty 04</b>	0
O	<b>FF: Accur Stl Armor 29039PK 22.5X9.00</b> PHP10-5 Hand Holes	80
O	<b>RR: Accur Stl Armor 50291PK 22.5X8.25</b> Heavy Duty, Two Hand Holes	80
O	<b>Code-rear Rim Qty 04</b>	0

### Fuel Tanks

O	<b>D-Shaped Aluminum 60 Gallon Fuel Tank LH U/C</b> Non-slip step LH under cab	-5
O	<b>Location LH U/C 60 Gallon</b>	0
O	<b>Polish (1) Non-Slip Fuel Tank Step, U/C Tank Only</b>	0
O	<b>Polish (1) Aluminum Fuel Tank</b>	0
O	<b>Polish All Fuel / Hydraulic Tank Straps</b>	0

Price Level: January 1, 2024

100% Complete

Date: September 06, 2023

Deal: 548 Single Axle Plow

Quote Number: QUO-903383-N7Z2R8

Printed On: 9/6/2023 12:47:08 PM





Std/ Opt	Description	Weight
	Does not apply to rectangular DEF tank straps	
O	<b>DEF Tank Mounted LH Under Cab</b>	0
O	<b>DEF To Fuel Ratio 2:1 Or Greater</b>	0
O	<b>Polished Stainless Steel Cover For DEF Tank</b>	0
S	<b>DEF Tank Small, HD 14 Gal 2.1M MD 5.5 Gal</b>	0

### Battery Box & Bumper

O	<b>Aluminum Space Saver Battery Box RH BOC</b> Battery access from side	-84
S	<b>Aftertreatment Aluminum Non-Slip Cab Entry</b> Aftertreatment right-hand under cab step. DPF/SCR for diesel engines, catalyst for natural gas engines. On Models 579 specifying chassis fairings, the box is aerodynamic.	0
O	<b>Steel Bumper Tapered Painted</b> Two tow points, painted same color as frame. ***Warning*** Due to a new legal regulations, all New Medium Duty trucks require headlights to be located in the bumper when the chassis height is GREATER than the following chassis height:  Measurement to bottom of frame at front of frame: for the 107 Aero Hood 32.6, for the 109 Aero Hood 31.4, for the 109 Vocational Hood 26.7. Work with applications if your chassis height is unacceptable.	40

### Cab & Equipment

O	<b>109" Fepto Hood w/Stationary Grille, 3pc Metton</b>	15
O	<b>Thermal Insulation Package in Cab</b> The thermal insulation package is designed to make the cab thermally efficient in extreme temperatures. The model 520 adds insulation surrounding the doghouse to reduce engine heat transmitted to the cab.	2
O	<b>Hood Crown - Bright Finish ipo Molded Gray</b>	0
S	<b>Seats Inc. Driver Seat</b>	0
S	<b>Seats Inc. Passenger Seat</b>	0
O	<b>Seat Skirt - All Eligible Air Seats</b>	2
O	<b>Drivers Armrests - LH &amp; RH</b>	4
O	<b>Passenger Armrest - LH only</b> Required with Evolution LX seats, optional with Evolution ST Seats.	2
O	<b>Seat Belt Color Orange IPO Standard Black</b>	0
O	<b>Driver Seat Isolator Lever</b>	0

Price Level: January 1, 2024

100% Complete

Date: September 06, 2023

Deal: 548 Single Axle Plow

Quote Number: QUO-903383-N7Z2R8

Printed On: 9/6/2023 12:47:08 PM



Std/ Opt	Description	Weight
	For fore/aft adjustments.	
S	<b>Air Ride Driver</b>	0
O	<b>High Back Driver</b>	0
S	<b>Vinyl Driver</b>	0
O	<b>Air Ride Passenger</b>	0
O	<b>High Back Passenger</b>	0
S	<b>Vinyl Passenger</b>	0
O	<b>High-Visibility Interior Grabhandles, Painted</b> Bright yellow interior grabhandle for vocational vehicles.	0
O	<b>Metal Interior Door Panel Kick Plates</b>	2
S	<b>Adjustable Steering Column - Tilt/Telescope</b>	0
S	<b>Steering Wheel With Peterbilt Logo</b> Steering Wheel with embossed Peterbilt logo over horn button.	0
O	<b>Probilt Interior Grey/Black - Curved Roof</b>	0
O	<b>Exterior Cab Entry Grabhandle</b> Textured; NFPA compliant. Available on Day Cab specifications only.	0
S	<b>Day Cab Rear Window</b> Day cab rear window flush to back of cab.	0
S	<b>1-Piece Glass Rear Cab Window Fixed</b>	0
S	<b>1-Piece Curved Windshield</b>	0
S	<b>Power Door Locks and Power Window Lifts</b> Standard	0
S	<b>Combo Fresh Air Heater/Air Conditioner</b> With radiator mounted condenser, dedicated side window defrosters, Bi-Level Heater/Defroster Controls, 54,500 BTU/HR, and silicone heater hoses.	0
O	<b>Additional Fine Particulate Filter For HVAC Syst</b> 3 micron filtration. For use in extreme high dust applications. Not available with Ember filter 7330890.	1
O	<b>Outside Sunvisor - Stainless Steel</b> Not available with 2.1M high roof sleeper.	4
S	<b>Aero Rear View Mirror Housing, Molded Black</b>	0
O	<b>Peterbilt Aero Rear View Mirror, Motorized</b> Includes top mirror with motorized, adjustable dual axis heated glass. Bottom mirror is an integrated convex surface. Includes black textured arms with breakaway feature.	3

Price Level: January 1, 2024

100% Complete

Date: September 06, 2023

Deal: 548 Single Axle Plow

Quote Number: QUO-903383-N7Z2R8

Printed On: 9/6/2023 12:47:08 PM



Std/ Opt	Description	Weight
S	<b>Look Down Mirror Over Passenger Door</b> with Black Housing	0
O	<b>LH/RH Round hood Mirrors Bright Housing</b> Convex mirrors, left hand / right hand hood mirrors with Bright finish. Includes one-piece straight arms for rearward visibility.	8
S	<b>Air Horn Mounted Under Cab</b>	0
O	<b>ConcertClass, AM/FM, Weatherband, 3.5 Aux</b>	11
O	<b>Standard Speaker Package For Cab</b> (2) Speakers	4
O	<b>Radio Mute When In Reverse</b> For automatic or automated transmission	0
O	<b>Bluetooth Phone and Audio Requires USB Port</b>	0
O	<b>USB Port</b>	0
O	<b>CB Antenna Mounting, Dual LH/RH Mirror</b>	2
O	<b>CB Terminals/Wiring Mounted Under Header</b> With mounting bracket	2
O	<b>SmartLINQ Remote Diagnostics</b> SmartLINQ is Peterbilts proprietary remote diagnostics service which monitors the engine and aftertreatment for diagnostic codes providing real-time code analysis maximizing vehicle uptime and strengthening the fleets partnership with their dealer. SmartLINQ provides fault coverage for over 800 codes, a customizable email notification for 116 codes plus a web portal to manage your entire fleet included at no additional charge. SmartLINQ is compatible with any telematics system and doesnt require a specific fleet management system. For those whose customers utilize PeopleNet, the pre-wire with remote diagnostics will provide a more integrated solution utilizing the existing SmartLINQ modem. For those whose customers utilize other fleet services products, the existing pre-wire option for the other fleet service devices will continue to be available.	0
S	<b>Peterbilt Electric Windshield Wipers</b> With Intermittent Feature.	0
O	<b>Cab Air Suspension</b>	15
O	<b>Auto Reset Circuit Protection</b> Daycab and Sleeper	0
O	<b>Triangle Reflector Kit, Ship Loose</b> Florescent triangle emergency road flares are designed to meet and exceed all DOT standards.	13
O	<b>Fire Extinguisher, Mounted Outboard Driver Seat</b> Hazmat approval UL listed/rated ABC	9
O	<b>Backup Alarm Wiring To BOC, 5 Ft Additional Wire</b>	6

Price Level: January 1, 2024

100% Complete

Date: September 06, 2023

Deal: 548 Single Axle Plow

Quote Number: QUO-903383-N7Z2R8

Printed On: 9/6/2023 12:47:08 PM





Std/ Opt	Description	Weight
O	<b>Transmission Oil Temperature (Main)</b> Located in Digital Cluster Display.	0
S	<b>Air Restriction Indicator</b> Mounted on air cleaner, intake piping, or firewall	0
O	<b>Air Suspension Pressure 1 Gauge</b> 52mm round, backlit. Physical gauges must be ordered in pairs and are limited to a total of 6.	0
O	<b>Dual Scale Speedometer MPH Over KPH</b>	0
O	<b>Switch &amp; Wiring For F/O Snow Plow Light Install.</b> Switch and wiring for furnished by owner snow plow light installation. J168 on chassis harness.	0
O	<b>Switch To Deactivate ATC Traction Control</b> Bendix ATC is required on the specification. Switch is to temporarily disable the Traction Control in extreme conditions such as snow, ice or mud. The ATC warning light will display in a constant state.	0
O	<b>Engine Hourmeter Gauge</b> Located in Digital Cluster Display	0
O	<b>Engine PTO Hourmeter Gauge</b> Located In Digital Cluster Display	0
O	<b>Engine Manifold Pressure (Turbo Boost)</b> Located in Digital Cluster Display	0
O	<b>Engine Percent Torque</b> Located in Digital Cluster Display	0
S	<b>Main Instrumentation Panel</b> Digital Cluster 7" Display includes: Physical (Analog) - Speedometer, Tachometer, Oil Pressure, Coolant Temp and Display Gauges - Fuel Level, DEF Level, DPF Filter Status, Fuel Economy, Volts Telltale, OAT and Primary Air Pressure, Secondary Air Pressure for air brake trucks.	0
O	<b>Voltmeter Gauge (MD/520 Only)</b> Located in Digital Cluster Display	0
O	<b>(4) Additional Dash Switches, Wiring</b> At BOC/BOS	3
S	<b>Headlights Composite Fender Mounted</b> Integral DRL/Park, Turn, and Side Marker	0
S	<b>(5) Marker Lights, Aero LED</b> Standard Black Housing, Chrome Housing available with Sun Visor	0
O	<b>(2) Brackets F/O Beacon/Strobe, Roof Mounted</b> (2) brackets for furnished by owner beacon / strobe lights roof mounted. Located above each door toward rear, includes switch and wiring.	4
S	<b>Self-Canceling Turn Signal</b>	0
O	<b>Daytime Running Lights, Mounted In Bumper</b> Driven by chassis height	0
S	<b>LED Stop/Turn/Tail/Backup</b> Bracket mounted left-hand / right-hand end of frame	0
S	<b>Moveable EOF Crossmember For Mounting Tail Lights</b> Square end of frame with or without end of frame crossmember	0

Price Level: January 1, 2024

100% Complete

Date: September 06, 2023

Deal: 548 Single Axle Plow

Quote Number: QUO-903383-N7Z2R8

Printed On: 9/6/2023 12:47:08 PM



Std/ Opt	Description	Weight
-------------	-------------	--------

**Paint**

S	<b>(1) Color Axalta Two Stage - Cab/Hood</b>	0
	Base Coat/Clear Coat	
	N85020 A - L0753EY RED	
	N85700 BUMPER L0001EA BLACK	
	N85500 CAB ROOF L0753EY RED	
	N85300 FENDER L0753EY RED	
	N85200 FRAME L0001EA BLACK	
	N85400 HOOD TOP L0753EY RED	

**Shipping Destination**

**Options Not Subject To Discount**

S	<b>Peterbilt Class 7 Standard Coverage</b>	0
	1 year/Unlimited Miles/km	
S	<b>PACCAR PX-9 Standard Coverage</b>	0
	2 yrs/250,000 mi (402,336 km)/6,250 hrs	
O	<b>SmartLINQ RD - 3YR Sub</b>	0
	PACCAR PX Engines	
O	<b>Base Warr: Emissions 5YR/100K MI-EPA Engine</b>	0

**Miscellaneous**

O	<b>109" Stationary Grille Hood (MODEL 548)</b>	0
O	<b>State Registry: Illinois</b>	0
O	<b>Peterbilt Sourcewell Program Code</b>	0

**Promotions**

**Special Requirements**

- Special Requirement 1 0098170
- Special Requirement 2
- Special Requirement 3
- Special Requirement 4

**Order Comments**



<b>Total List Price (W/O Freight &amp; Warranty &amp; Surcharges )</b>	\$165,523
Marketing and Service Support Fee	\$1,395
Prepaid Freight	\$3,525
<b>Total Surcharge/Options Not Subject To Discount</b>	\$499
<b>Total Weight</b>	12,386

**Prices and Specifications Subject to Change Without Notice.**

---

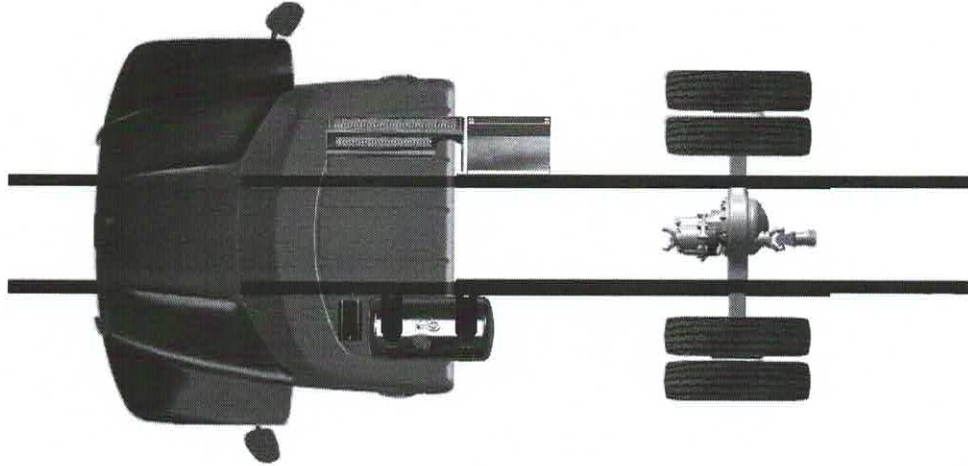
Unpublished options may require review/approval.  
Dimensional and performance data for unpublished options may vary from that displayed in CRM.

---

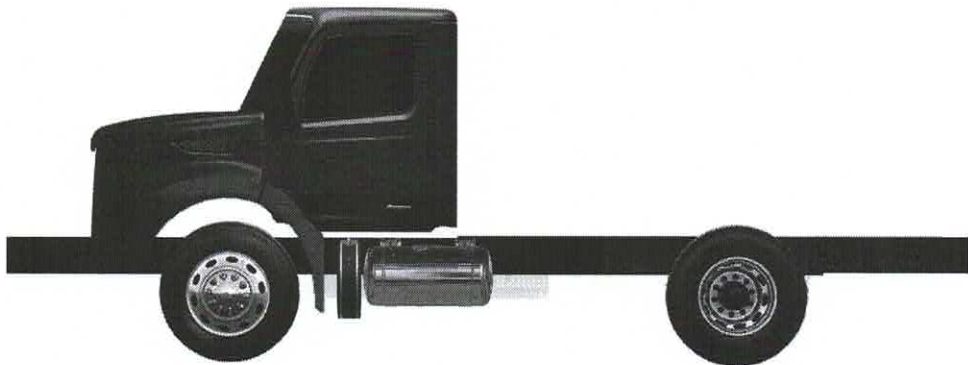
**PRICING DISCLAIMER**

*While we make every effort to maintain the web site to preserve pricing accuracy, prices are subject to change without notice. Although the information in this price list is presented in good faith and believed to be correct at the time of printing, we make no representations or warranties as to the completeness or accuracy of this information. We reserve the right to change, delete or otherwise modify the pricing information which is represented herein without any prior notice. We carefully check pricing specifications, but occasionally errors can occur, therefore we reserve the right to change such prices without notice. We disclaim all liability for any errors or omissions in the materials. In no event will we be responsible for any damages of any nature whatsoever from the reliance upon information from these materials. Please check your order prebills to confirm your pricing information*

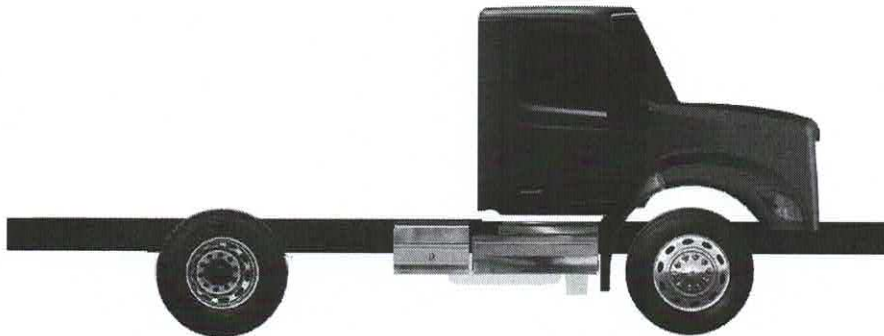
Dtpo: Truck Model: 548 Customer: Village Of Orland Park



**Note:** The image displayed is representative only. It should not be construed as a layout diagram. Dimensions and components are not to scale.



**Note:** The image displayed is representative only. It should not be construed as a layout diagram. Dimensions and components are not to scale.



**Note:** The image displayed is representative only. It should not be construed as a layout diagram. Dimensions and components are not to scale.



Dtpo: Truck Model: 548 Customer: Village Of Orland Park

Selected Options

Sales Option	Description	Width	Side
5655019	DEF Tank Small, HD 14 Gal 2.1M M...	15	Left
5584070	D-Shaped Aluminum 60 Gallon Fuel ...	20.7	Left
6040550	Aftertreatment Aluminum Non-Slip C...	18	Right
6010780	Aluminum Space Saver Battery Box ...	18	Right

Available Space: Left: 46.4 in. Center: 178.0 in. Right: 29.3 in.

9/6/2023, 2:20:04 PM