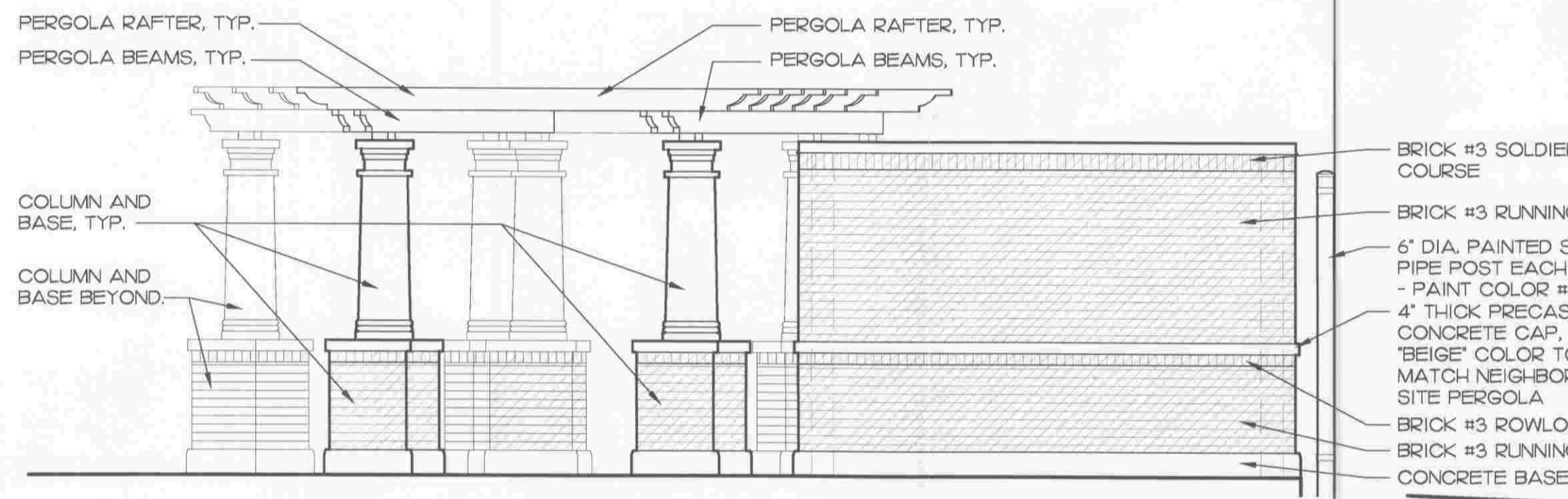


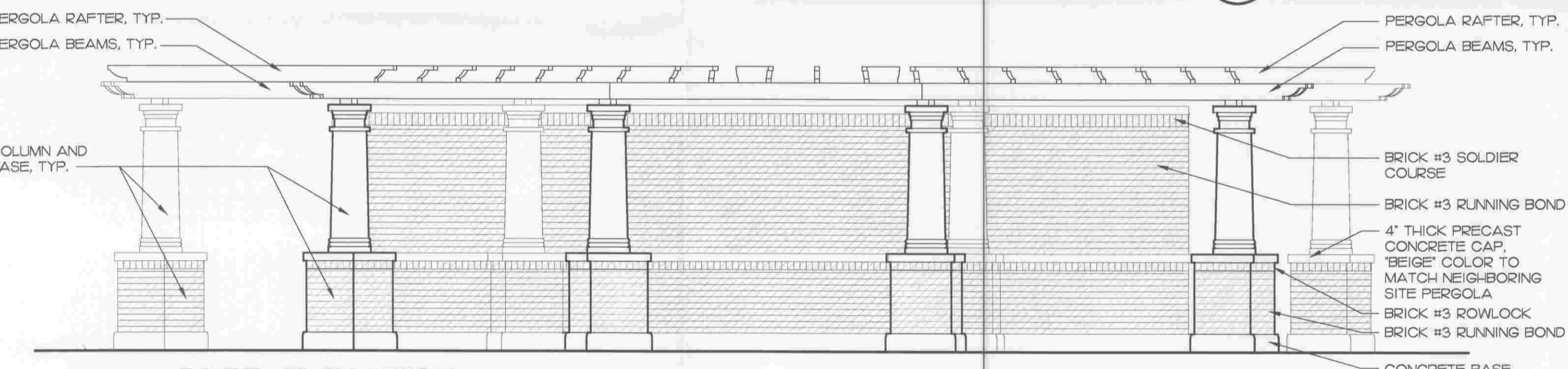
**1 SOUTH ELEVATION**

1/4" = 1'-0"



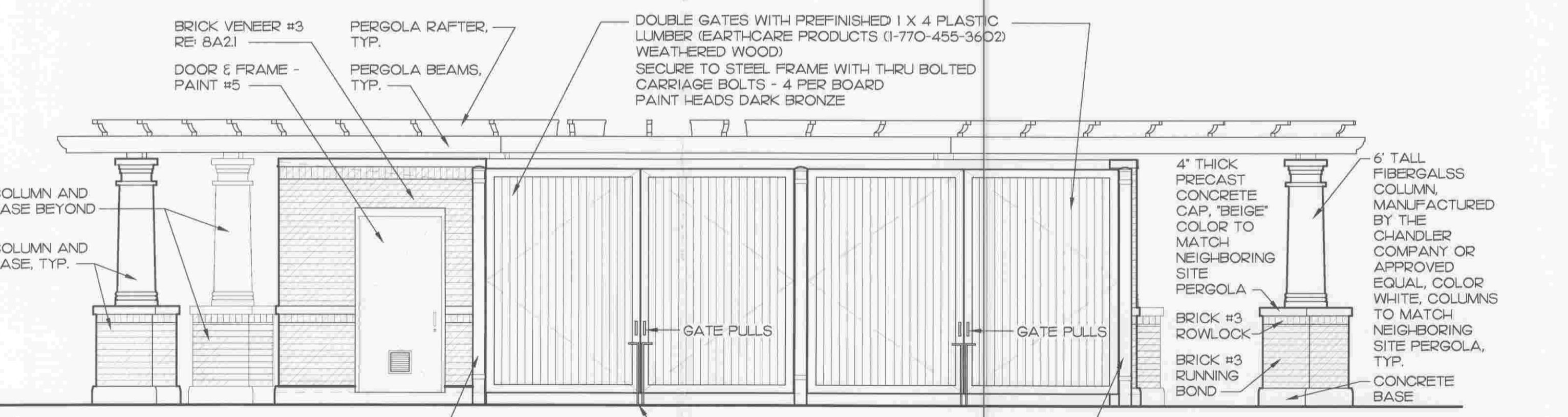
**2 NORTH ELEVATION**

1/4" = 1'-0"



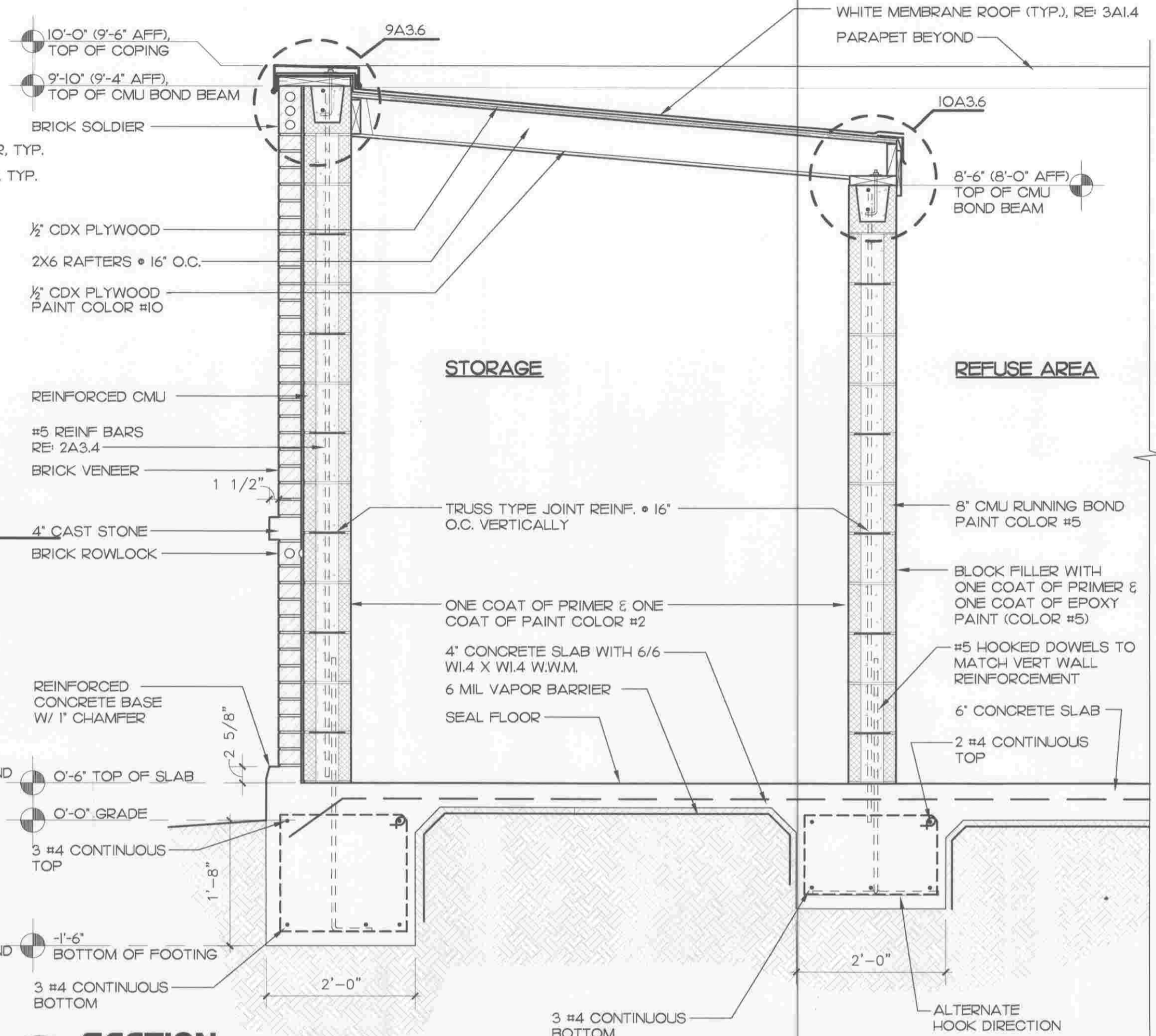
**3 EAST ELEVATION**

1/4" = 1'-0"



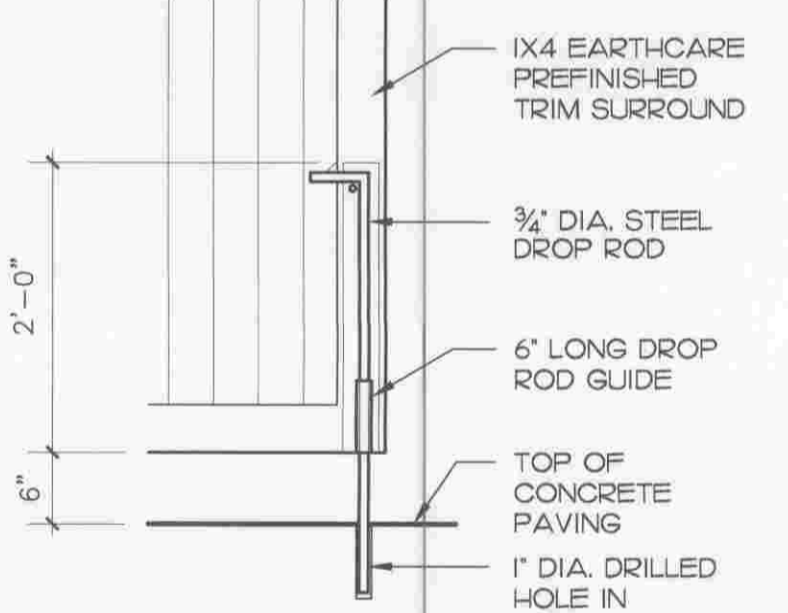
**4 WEST ELEVATION**

1/4" = 1'-0"



**6 SECTION**

3/4" = 1'-0"



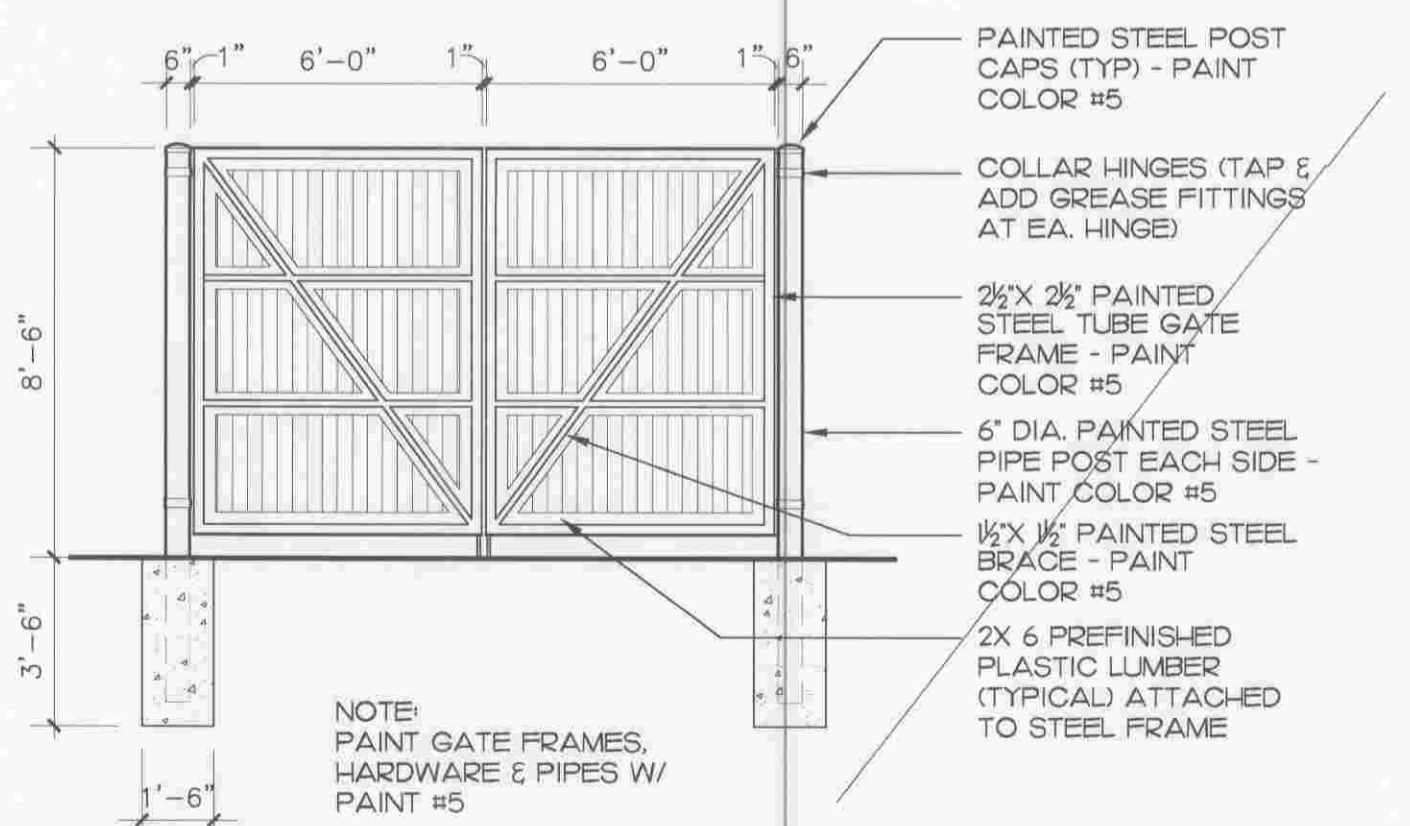
**5 DROP ROD DETAIL**

3/4" = 1'-0"



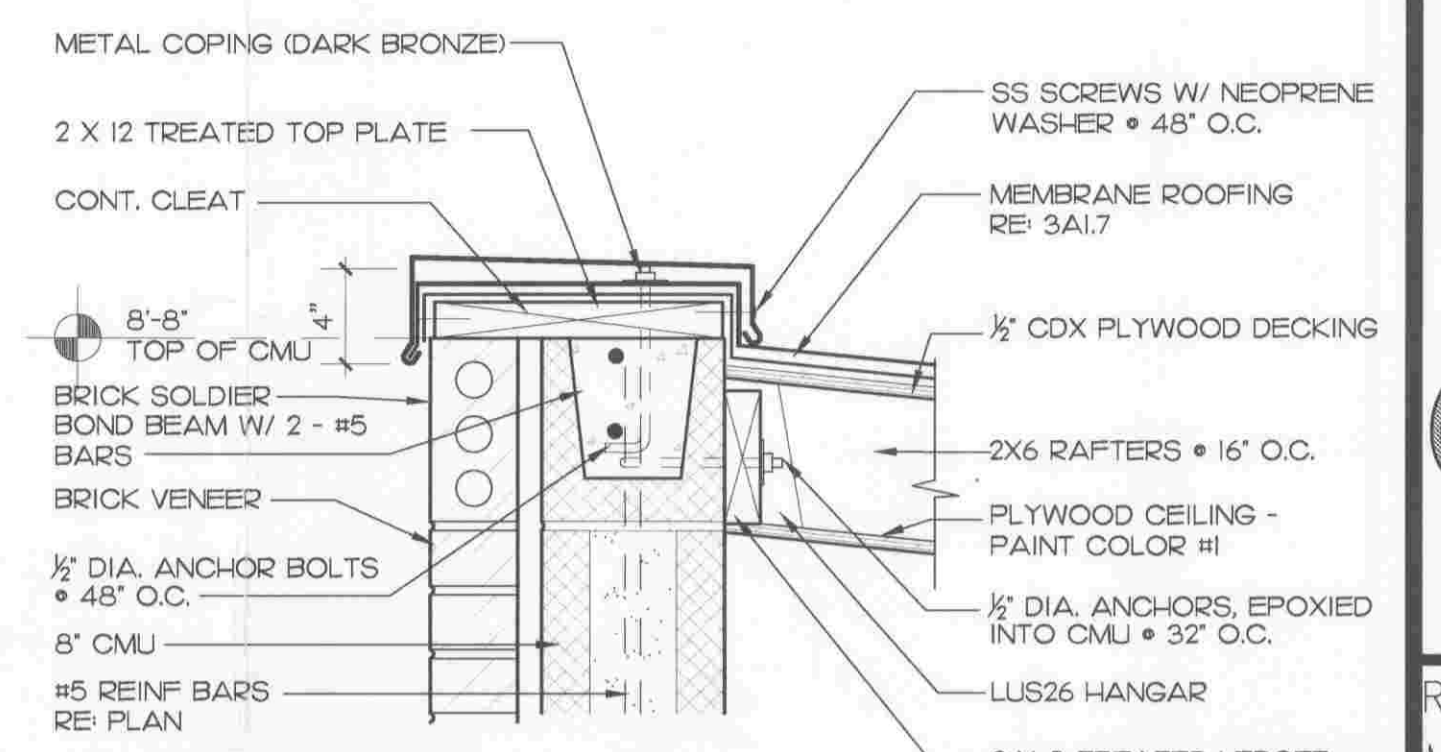
**7 NOT USED**

3/4" = 1'-0"



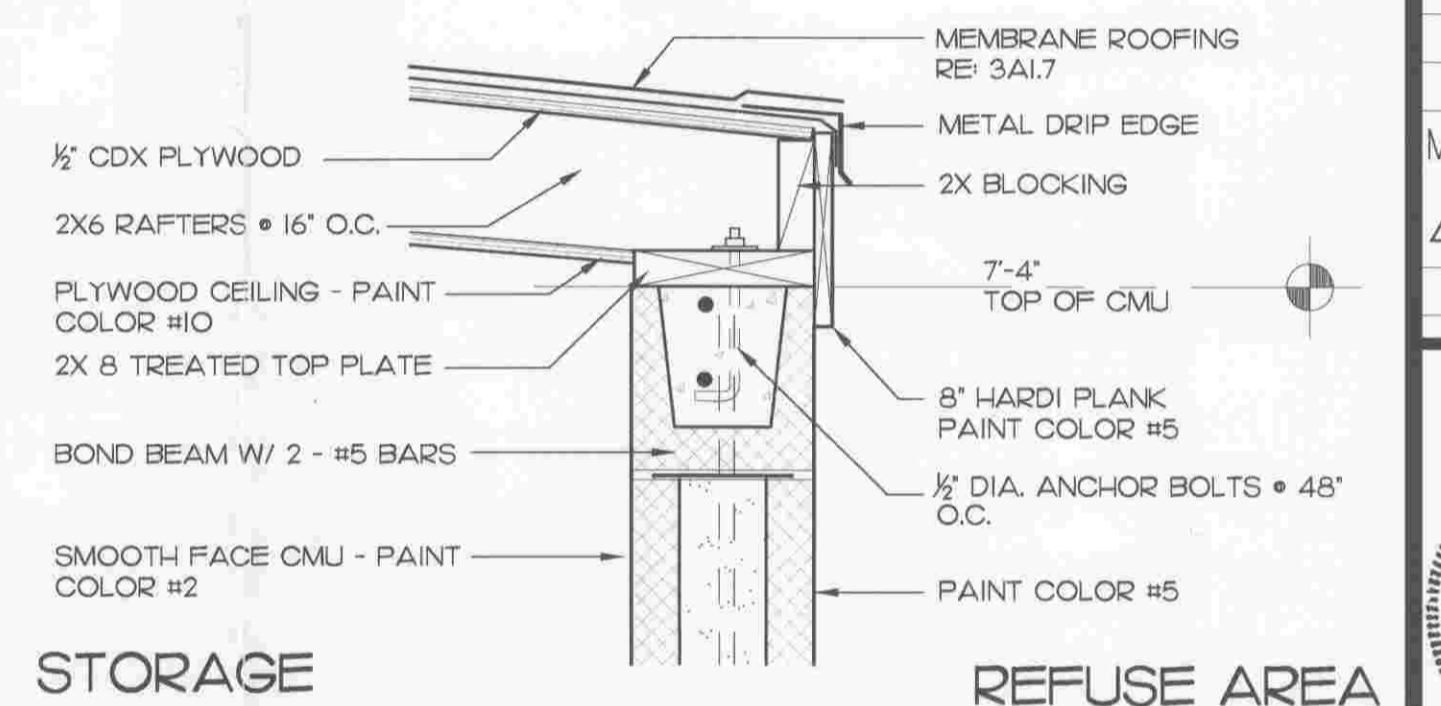
**8 TYPICAL DOUBLE GATE ELEVATION**

1/4" = 1'-0"



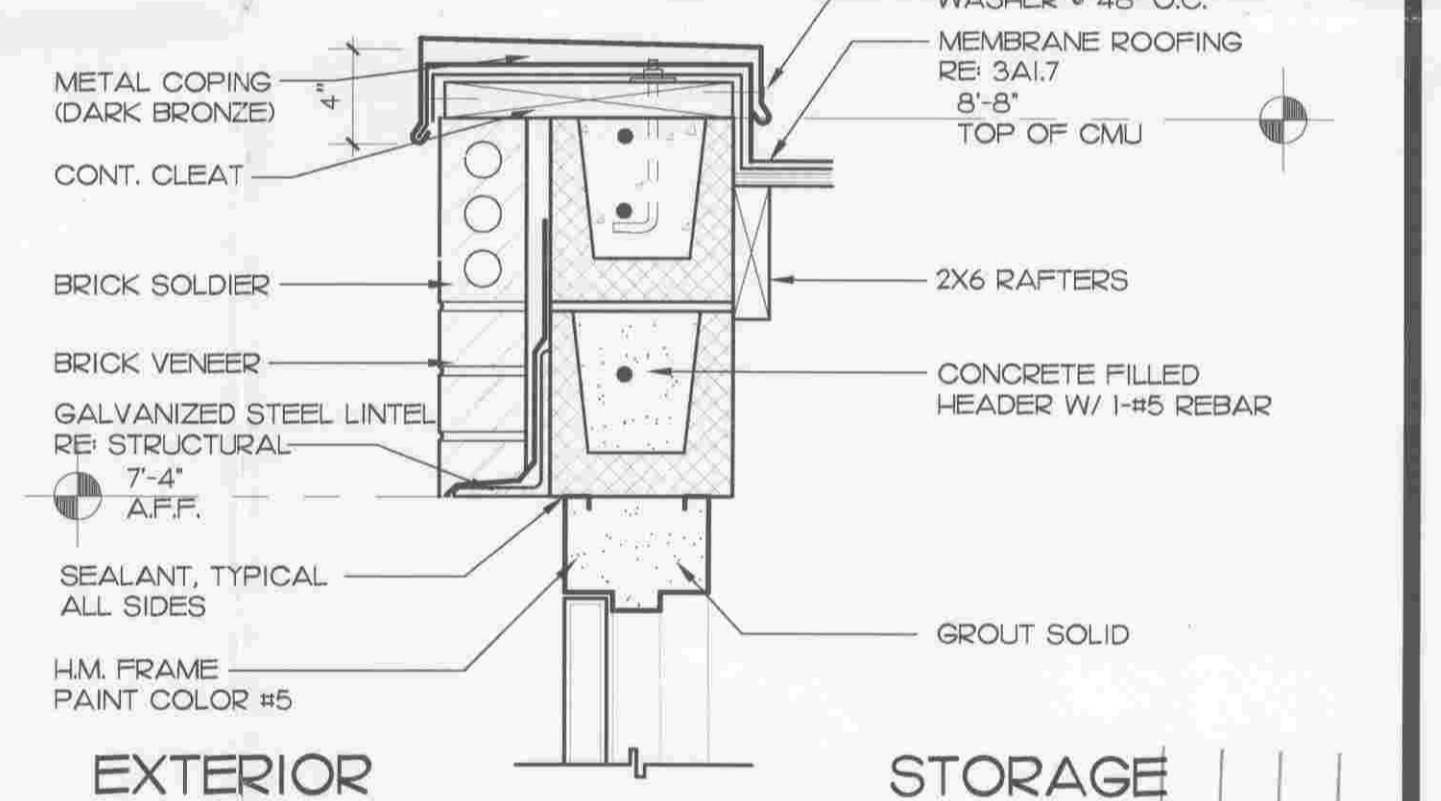
**9 ROOF EDGE DETAIL**

1 1/2" = 1'-0"



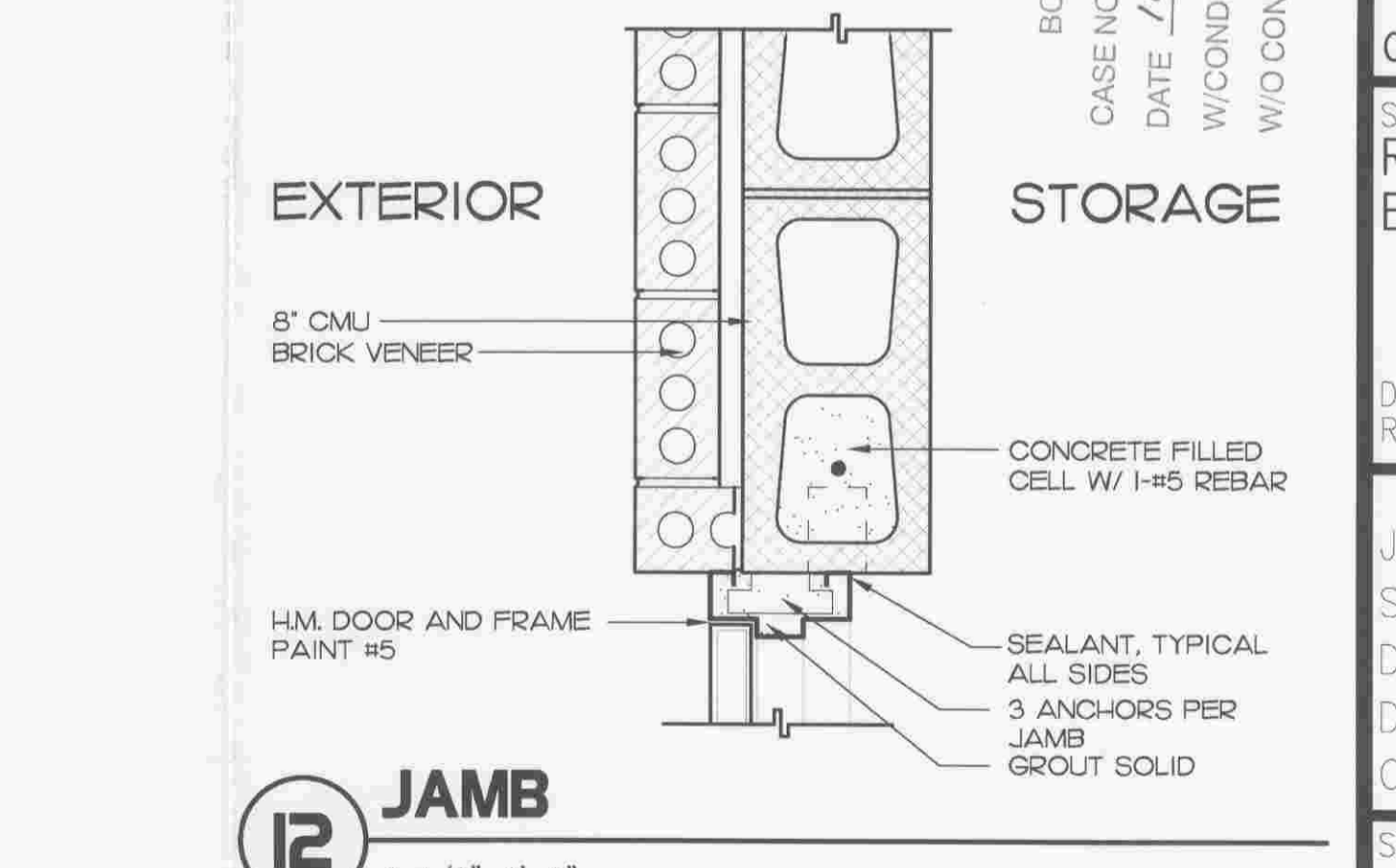
**10 ROOF EDGE DETAIL**

1 1/2" = 1'-0"



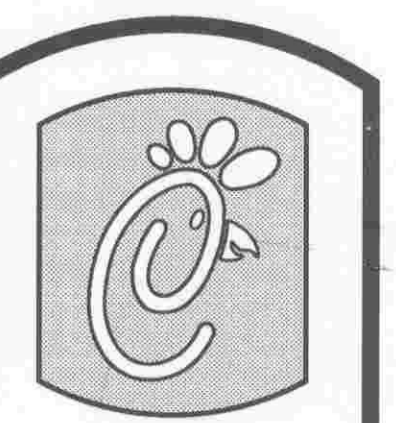
**11 HEAD DETAIL**

1 1/2" = 1'-0"



**12 JAMB**

1 1/2" = 1'-0"



**Chick-Fil-A**  
5200 Buffington Rd.  
Atlanta Georgia,  
30349-2998

Revisions:  
Mark Date By

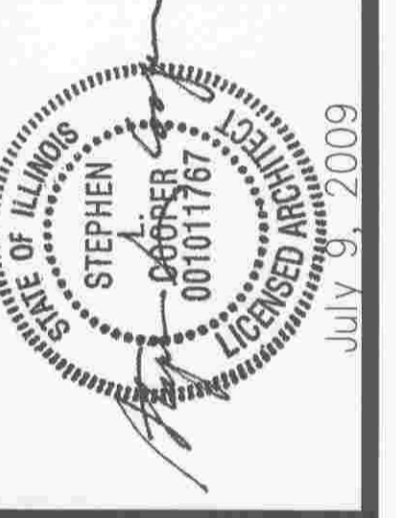
△

Mark Date By

△

Mark Date By

△



ILLINOIS DESIGN FIRM #184-002963  
H ARCHITECTS, P.C.  
THE HORSE BARN AT  
MARYLAND FARMS SUITE 1  
BENWOOD TENNESSEE  
37027-7593  
PHONE: 615/377-3111  
FAX: 615/377-0978  
E-MAIL: gsm@harchitect.com

STORE #2638  
Chick-Fil-A FSU  
S06A

ORLAND PARK, IL  
SHEET TITLE  
REFUSE  
ENCLOSURE

DWG EDITION 07.1  
REVISION

Job No. :  
Store : 2638  
Date : 07/09/09  
Drawn By :  
Checked By :

Sheet

**A-3.6**

