



**ORLAND FIRE PROTECTION DISTRICT**  
 9788 West 151st Street  
 Orland Park, IL 60462

ORLAND FIRE PROTECTION DISTRICT  
 NEW TRAINING FACILITY  
 10790 163rd Place  
 Orland Park, IL 60467

**McDonough Associates Inc.**  
 130 East Randolph Street, Suite 1000  
 Chicago, Illinois 60601

REVISION LOG

REV.	DATE	DESCRIPTION
09/22/08		ISSUED FOR BID
11/19/08		PER PRELIMINARY PLAN REVIEW
12/05/08		PER FINAL PLAN REVIEW

SHEET

ARCHITECTURAL  
**EXTERIOR ELEVATIONS**

FLOOR  
 GROUND

SCALE: AS NOTED

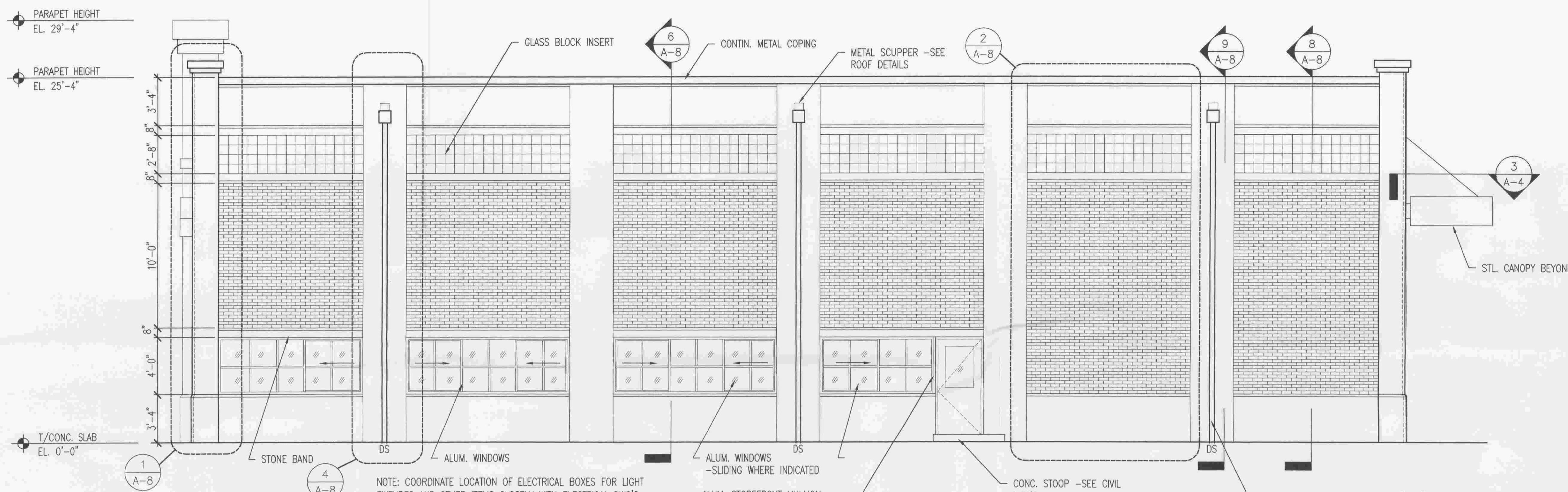
DATE: 09/22/08

DRAWN BY  
 FTH

CHECKED BY  
 FTH

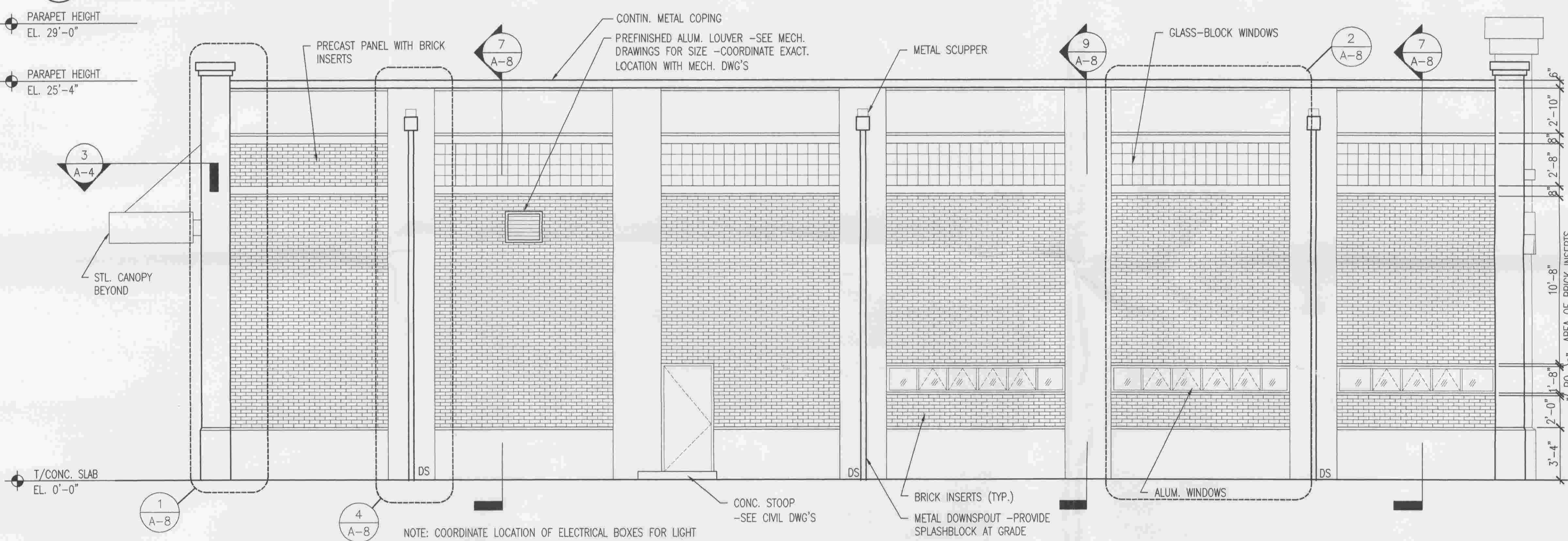
SHEET NUMBER

A-6



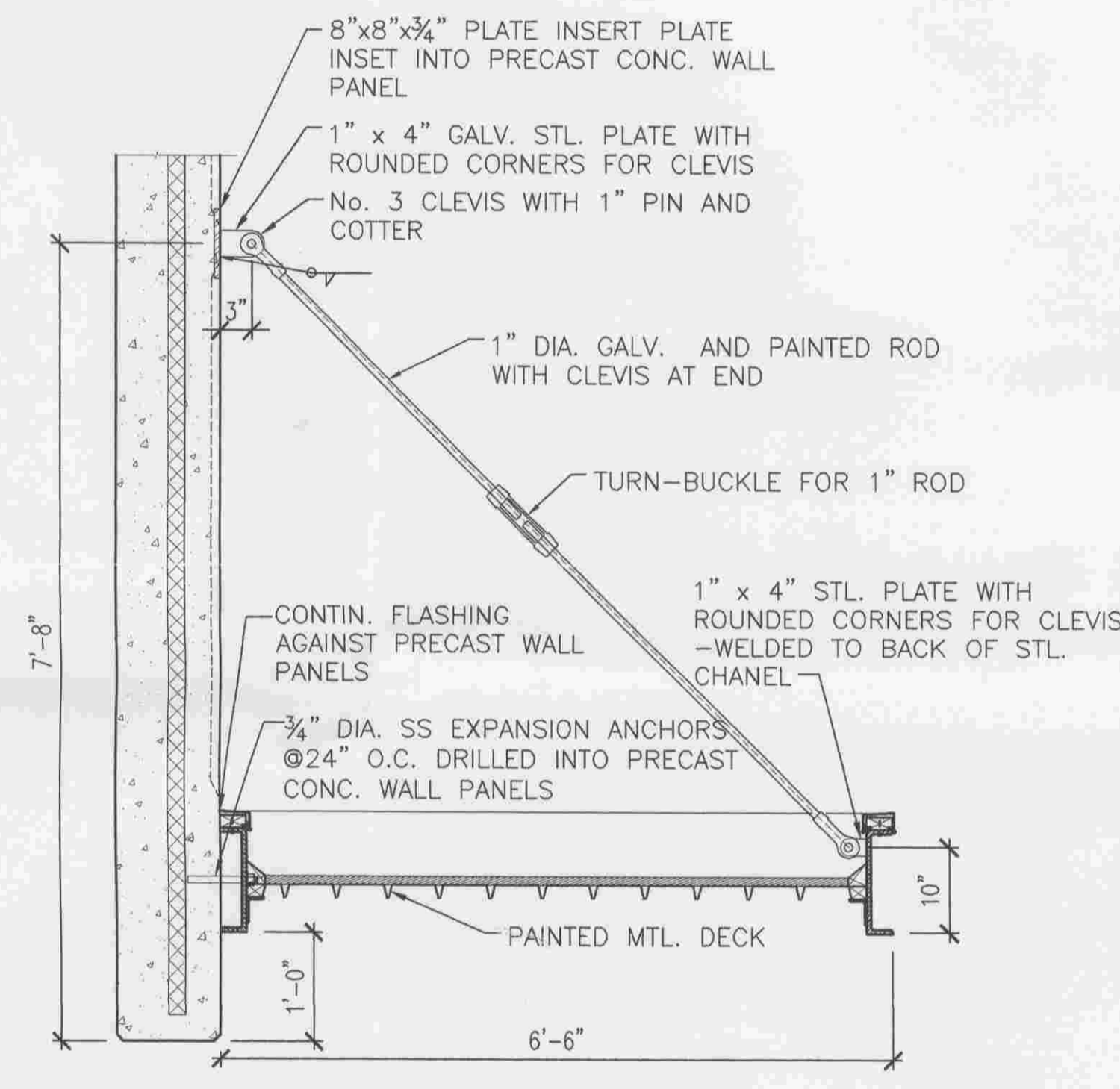
**1 EAST ELEVATION**

SCALE: 1/4"=1'-0"



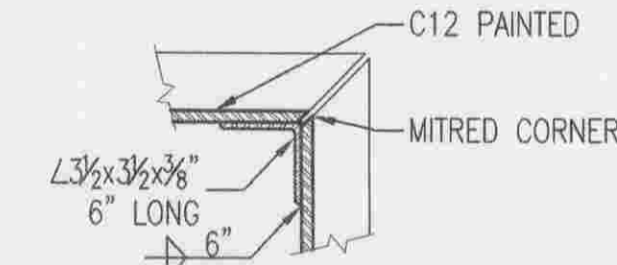
**2 WEST ELEVATION**

SCALE: 1/4"=1'-0"



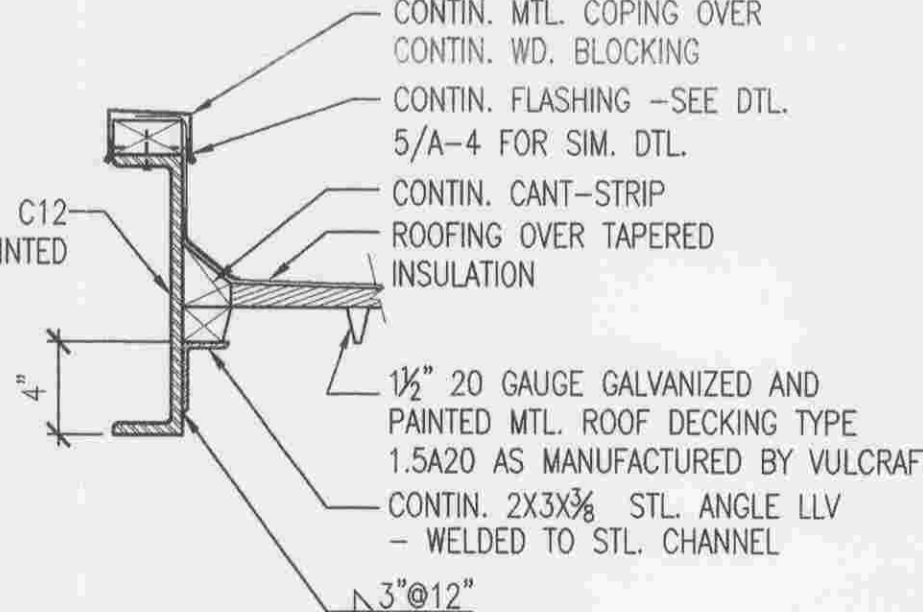
**7 SECTION THROUGH CANOPY**

SCALE: 3/4"=1'-0"



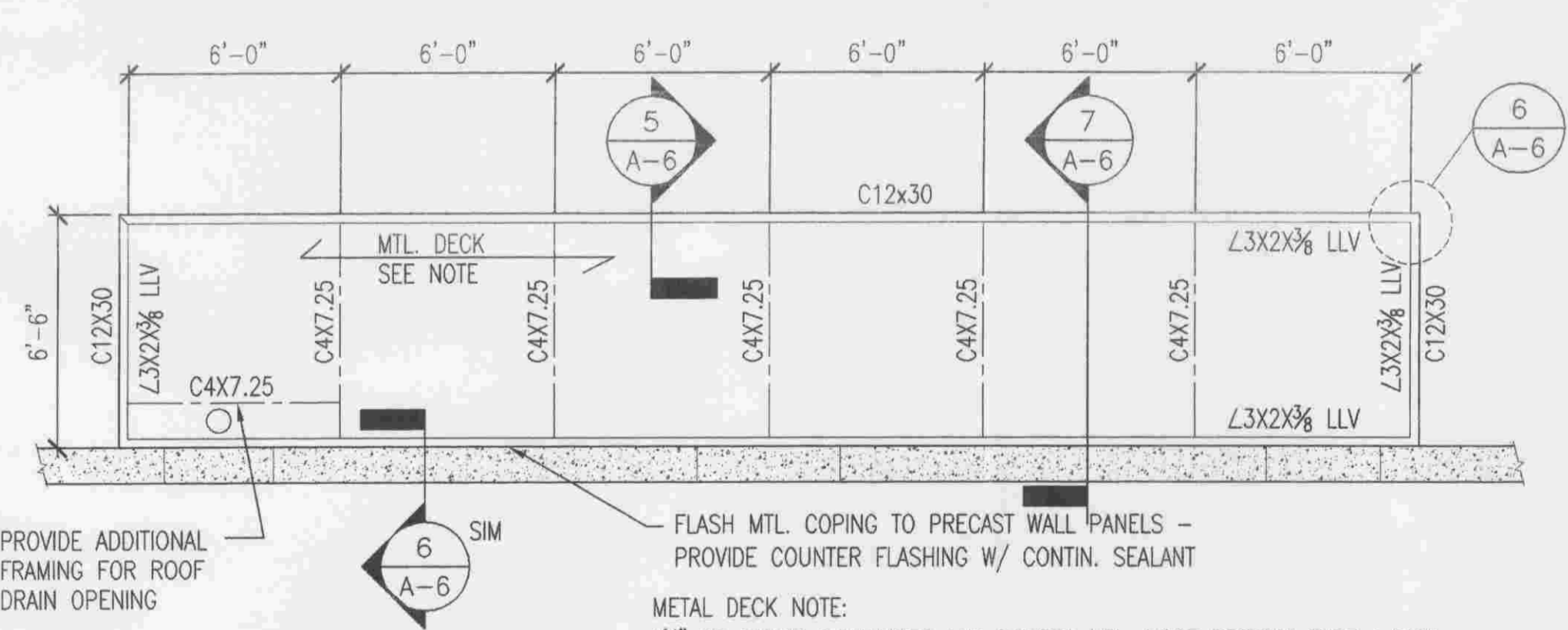
**6 CANOPY CORNER DETAIL**

SCALE: 1-1/2"=1'-0"



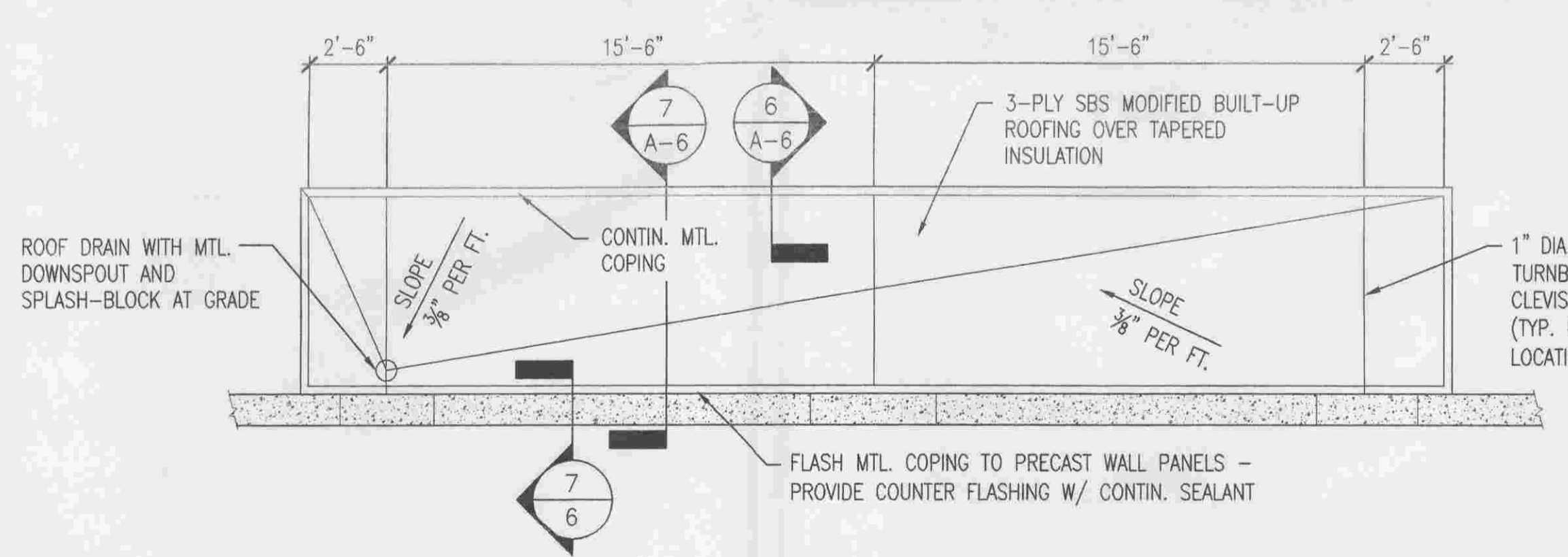
**5 CANOPY COPING DETAIL**

SCALE: 1-1/2"=1'-0"



**3 CANOPY FRAMING PLAN**

SCALE: 1/4"=1'-0"



**4 CANOPY ROOF PLAN**

SCALE: 1/4"=1'-0"